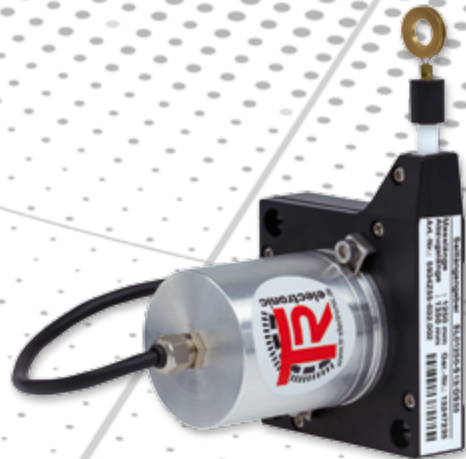


Wire Actuated Encoders

Overview



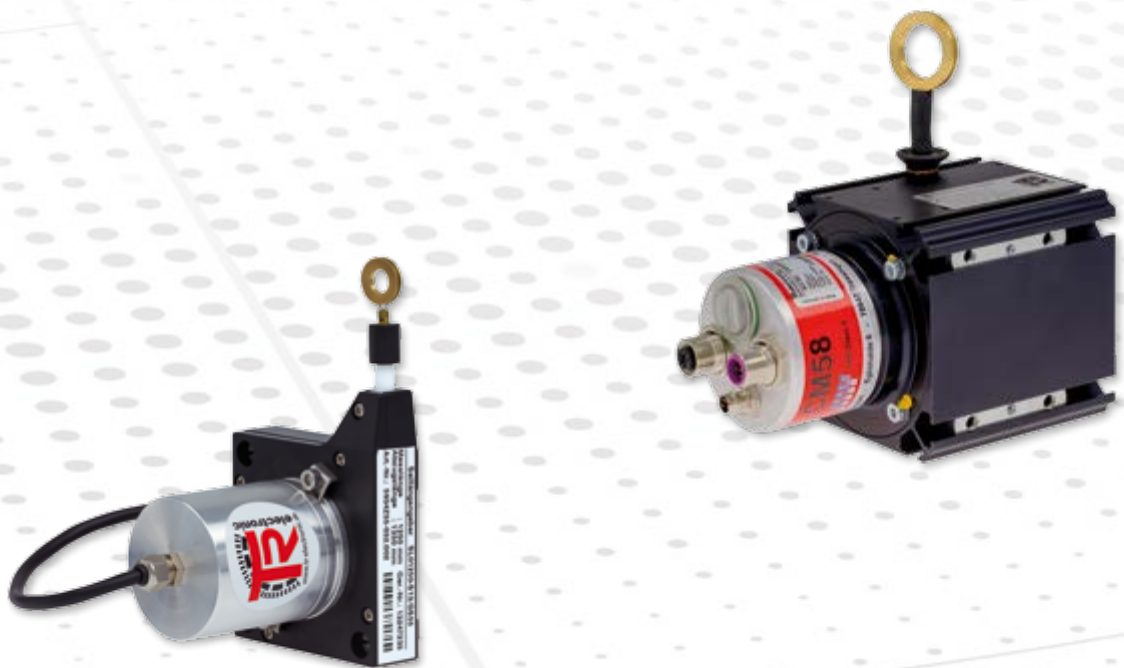
Wire-actuated Encoders



Wire-actuated encoders with absolute rotary encoders or incremental rotary encoders

Wire-actuated encoders from TR-Electronic are the universally applicable, efficient and safe solution for recording linear movements in the warehousing and logistics sectors, for example, as well as in stage technology and many other applications. Their fundamental advantage lies in the particularly compact installation space: The wire on the measuring drum is only unwound when movement takes place, while the measuring range remains free until unwinding.

Wire-draw encoders by TR-Electronic are equipped with absolute or incremental rotary encoders and fit the specific encoder series perfectly. Three classes fulfill specific needs for different mechanical loads, duty cycle, service life, resolution or reproducibility. We combine the wide variety of interfaces of our absolute and incremental encoders with different solutions to measure linear movements to fit exactly into your application.



Contents

Application Classes	4
Basic	5
Standard	5
Industrial	7
Industrial Atex	9

Wire-actuated Encoders



Linear position measurement with rotary encoders

Wire actuated encoders by TR-Electronic are equipped with absolute or incremental rotary encoders and fit the specific encoder series perfectly.

Three classes fulfill specific needs for different mechanical loads, duty cycle, service life, resolution resp. reproducibility.

Industrial

These wire length encoders are designed for many years of use with a high activity rate. With a large number of options,

the system can be adapted to many applications. Those wire draw mechanics are available and approved for applications in explosive atmospheres.

Standard

The WDS is suitable for normal automation tasks.

Basic

The WPS is cost-effective product for simple measuring applications with lower accuracy requirements. In terms of precision it is compatible with our rotary encoders with magnetic scanning.

Contents

Products.....	5
Suggested Products.....	10
Dimensional Drawings.....	13


Application: basic

Application: standard

Product	WPS size 88 mm	SL00 size 55 mm	SL00 size 80 mm
			
Application	Basic	Standard	Standard
Available measurement lengths (m)	2,3; 5	1,25	3
Suits encoder series	58	36	58
Diameter of measurement wire	0,45 mm	0,45 mm	0,55 mm
Measurement wire made from	Stainless steel, covered with polyamide	Stainless steel, 1.4401	Stainless steel, 1.4401
Housing of drum	Plastic, PA 6 GF 30	Plastic, Noryl	Plastic, Noryl
Housing of spring			
Ratio	238,8 mm/turn. (typ.)	150 mm/turn (typ.)	230 mm/turn (typ.)
Options available			
Protection class	IP65	IP50	IP50
ATEX zone			
Interface	Analog	           	           
Option, additional interfaces (on request)			
Weblink	www.tr-electronic.com/s/5006900	www.tr-electronic.com/s/S020790	www.tr-electronic.com/s/5006900
QR-Code			




























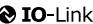




























Can't find the right variant? Please contact us (info@tr-electronic.de)

Application: standard

Product	SL00 size 130 mm	WDS size 60 mm	WDS size 85 mm	
				
Application	Standard	Standard	Standard	
Available measurement lengths (m)	5	1,6	2,5	
Suits encoder series	58	58	58	
Diameter of measurement wire	0,55 mm	0,45 mm	1,2 mm	
Measurement wire made from	Stainless steel, 1.4401	Stainless steel, covered with polyamide	Stainless steel, covered with polyamide	
Housing of drum	Plastic, Noryl	Aluminium anodized	Aluminium anodized	
Housing of spring				
Ratio	385 mm/turn (typ.)	150,12 mm/turn (typ.)	199,92 mm/turn. (typ.)	
Options available				
Protection class	IP50	IP65	IP65	
ATEX zone				
Interface	           	           	           	
Option, additional interfaces (on request)				
Weblink	www.tr-electronic.com/s/S006901	www.tr-electronic.com/s/S006902	www.tr-electronic.com/s/S010790	
QR-Code				

Application: standard





























Application: industrial

WDS size 96 mm	WDS size 115 mm	WDS size 200 mm	SL30 size 80 mm
			
Standard	Standard	Standard	Industrial
2; 3	5; 7; 10; 15	30	2; 3
58	58 65 75	58 65 75	58 65 75 81 84
0,80 mm	0,45 mm	0,80 mm	1,35 mm
Stainless steel, covered with polyamide	Stainless steel, covered with polyamide	Stainless steel, covered with polyamide	Stainless steel, 1.4401
Aluminium anodized	Aluminium anodized	Aluminium anodized	Aluminium anodized
			Plastic
260,2 mm/turn (typ.)	315,23 mm/turn (typ.)	500,21 mm/turn (typ.)	200 mm/turn (typ.)
Single or double deflection pulleys			-30...+80 °C, wire brush, different deflection pulleys, bellow, fixed ball joint
IP65	IP65	IP65	IP65
           	           	           	           
www.tr-electronic.com/s/S006903	www.tr-electronic.com/s/S006904	www.tr-electronic.com/s/S006905	www.tr-electronic.com/s/S006906
			

Application: industrial

Product	WDS size 115 mm „Longlife“ 	SL30 size 130 mm 	SL30 size 190 mm 	
Application	Industrial	Industrial	Industrial	
Available measurement lengths (m)	5	5; 10; 15; 20; 25; 30	40; 50; 60	
Suits encoder series	58	58 65 75 81 84	58 65 75 81 84	
Diameter of measurement wire	1,0 mm	0,81 mm	1,35 mm	
Measurement wire made from	Stainless steel, covered with polyamide	Stainless steel, 1.4401	Stainless steel, 1.4401	
Housing of drum	Aluminium anodized	Aluminium anodized	Aluminium anodized	
Housing of spring		Plastic	Plastic	
Ratio	315,23 mm/turn (typ.)	333,21 mm/turn (typ.)	491,5 mm/turn (typ.)	
Options available	Single deflection pulleys	-30...+80 °C, wire brush, different deflection pulleys, bellow, fixed ball joint	-30...+80 °C, wire brush, different deflection pulleys, bellow, fixed ball joint	
Protection class	IP65	IP65	IP65	
ATEX zone				
Interface	           	           	           	
Option, additional interfaces (on request)	SSI Analog	SSI Analog	SSI Analog	
Weblink	www.tr-electronic.com/s/S006904	www.tr-electronic.com/s/S006907	www.tr-electronic.com/s/S006908	
QR-Code				

Application: industrial ATEX

<p>SL30 ATEX size 80 mm</p> 	<p>SL30 ATEX size 130 mm</p> 
<p>Industrial ATEX</p>	<p>Industrial ATEX</p>
<p>2; 3</p>	<p>10; 25</p>
<p>58 65 70 75 115</p>	<p>58 65 70 75 115</p>
<p>1,35 mm</p>	<p>0,81 mm</p>
<p>Stainless steel, 1.4401</p>	<p>Stainless steel, 1.4401</p>
<p>Aluminium anodized</p>	<p>Aluminium anodized</p>
<p>Plastic</p>	<p>Plastic</p>
<p>200 mm/turn (typ.)</p>	<p>333,21 mm/turn (typ.)</p>
<p>-30...+80 °C, wire brush, different deflection pulleys, bellows, fixed ball joint</p>	<p>-30...+80 °C, wire brush, different deflection pulleys, bellows, fixed ball joint</p>
<p>IP65</p>	<p>IP65</p>
<p>2</p>	<p>2</p>
<p>             </p>	<p>             </p>
<p>www.tr-electronic.com/s/S006909</p>	<p>www.tr-electronic.com/s/S006910</p>
	

Suggested Products

Order code	Name	Measurement range	Interface	Remark
Standard WDS size 85mm				
CMW58M-00008	CMW58M*4096/4096 V000 SSI SLG*ME2,5M	2,50 m	SSI	
CMW58M-00009	CMW58M*4096/4096 PBS-DP SLG/ME2,5M	2,50 m	PROFIBUS DP	
CM-W582M-00002	CMW582M*8192/4096 EPN SLG*ME2,5M	2,50 m	PROFINET IO	
Standard WDS size 96mm				
CM-W582M-00006	CMW582M*8192/4096 EPN ME 2M	2,00 m	PROFINET IO	radial, connector points down, B10: 450.000 cycles
CM-W582M-00008	CMW582M*4096/4096 EIP ME 2M	2,00 m	Ethernet/IP	axial, B10: 450.000 cycles
CM-W582M-00016	CMW582M*4096/4096 EPN ME 2M	2,00 m	PROFINET IO	axial, B10: 450.000 cycles
CM-W582M-00021	CMW582M*8192/4096 ETC SLG ME 2M	2,00 m	EtherCAT	radial, connector points down, B10: 450.000 cycles
CM-W582M-00026	CMW582M*8192/4096 EPN ME 2M	2,00 m	PROFINET IO	radial, connector points up, B10: 450.000 cycles

For further product information simply enter the order number in the search field at www.tr-electronic.com.

Further product information

1. Enter order code into ...



2. Searchfield (top right) on www.tr-electronic.com



3. Choose desired information



We will help you to select the most suitable products from the complete TR range. Please contact us (info@tr-electronic.de).

Suggested Products

Order code	Name	Measurement range	Interface	Remark
Standard WDS size 115mm				
CM-W582M-00010	CMW582M*8192/4096 EPN SLG*ME 5M	5,00 m	PROFINET IO	radial, connector points down, B10: 450.000 cycles
CM-W582M-00014	CMW582M*8192/4096 ETC SLG*ME 5M	5,00 m	EtherCAT	axial, B10: 450.000 cycles
CM-W582M-00018	CMW582M*8192/4096 EPN ME 5M	5,00 m	PROFINET IO	radial, connector points right, B10: 450.000 cycles
CM-W582M-00022	CMW582M*8192/4096 EPN ME 5m+ULR	5,00 m	PROFINET IO	radial, connector points up, with pulley, B10: 450.000 cycles
CM-W582M-00023	CMW582M*8192/4096 EPN ME 5m+DUR00	5,00 m	PROFINET IO	radial, connector points left, with double pulley, B10: 450.000 cycles
CM-W582M-00025	CMW582M*8192/4096 EPN ME 7,5m+ULR	7,50 m	PROFINET IO	
CMW58M-00002	CMW58M*4096/4096 PBS-DP SLG/ME5M	5,00 m	PROFIBUS DP	
CMW58M-00041	CMW58M*2048/4096 V000 CAN/OPEN ME 0-5M	5,00 m	CAN/OPEN	
CMW58M-00063	CMW58M*4096/4096 SSI SLG*ME5,0m	5,00 m	SSI	
CMW58M-00068	CMW58M*4096/4096 SSI ME5M+ULR	5,00 m	SSI	With single pulley
CEW582M-00011	CEW582M*8192/4096 EPN ME 5m+ULR	5,00 m	PROFINET IO	With single pulley
CMW58M-00076	CMW58M*4096/4096 PB SLG/ME5M DUR00	5,00 m	PROFIBUS DP	With double pulley
CEW582M-00012	CEW582M*8192/4096 EPN ME 5m+DUR00	5,00 m	PROFINET IO	With double pulley
CMW58M-00077	CMW58M*4096/4096 PB SLG/ME5M DUR90	5,00 m	PROFIBUS DP	With double pulley, 90°
Standard SL00 size 130mm				
CM-W582M-00003	CMW582M*8192/4096 EPN SL00_GS130	5,00 m	PROFINET IO	
CMW58M-00056	CMW58M*4096/4096 SSI SL130 5M	5,00 m	SSI	
Standard SL00 size 80mm				
CMW58M-00055	CMW58M*4096/4096 SSI SL80 3M	3,00 m	SSI	
Industrial WDS size 115mm				
CM-W582M-00024	CMW582M*8192/4096 EPN ME 5m+ULR	5,00 m	PROFINET IO	radial, connector points up, with pulley, B10: 1,5 mio cycles

For further product information simply enter the order number in the search field at www.tr-electronic.com.

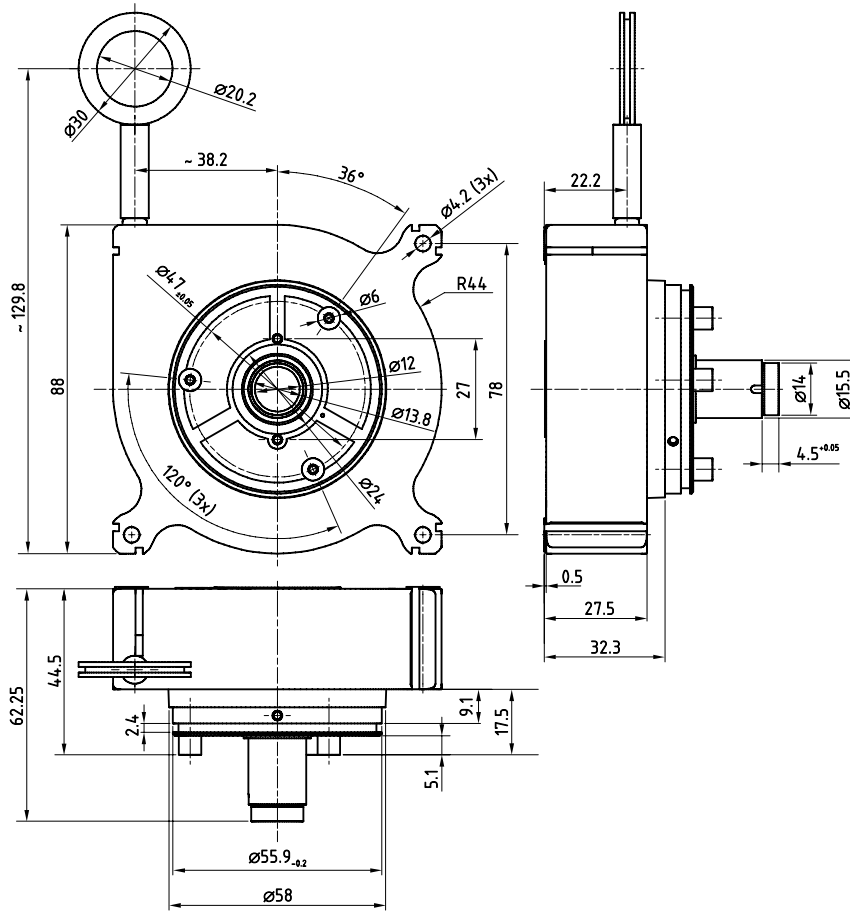
Suggested Products

Order code	Name	Measurement range	Interface	Remark
Industrial SL30 size 80mm				
CEW58M-00020	CEW58M*4096/4096 V000 PROFIBUS *SL3002	2,00 m	PROFIBUS DP	
CEW58M-00127	CEW58M*8192/4096 V000 PROFIBUS *SL3003	3,00 m	PROFIBUS DP	
CEW58M-00132	CEW58M*8192/4096 V000 SSI SL3002	2,00 m	SSI	
CEW58M-00140	CEW58M*8192/4096 V000 SSI SL3003	3,00 m	SSI	
CEW58M-00171	CEW58M*8192/4096 V000 ETHERCAT *SL3003	3,00 m	EtherCAT	
CEW58M-00215	CEW58M*4096/4096 EIP SL3002	2,00 m	ETHERNET IP	
CEW58M-00221	CEW58M*8192/4096 V000 ETHERCAT *SL3002	2,00 m	EtherCAT	
CEW58M-00241	CEW58M*8192/4096 EIP SL3003	3,00 m	ETHERNET IP	
CM-W582M-00001	CMW582M*8192/4096 EPN SL3003	3,00 m	PROFINET IO	
Industrial SL30 size 190mm				
CEW58M-00115	CEW58M*4096/4096 V000 PROFIBUS *SL3050	50,00 m	PROFIBUS DP	
Industrial SL30 size 130mm				
CEW58M-00008	CEW58M*8192/4096 V000 PROFIBUS *SL3015	15,00 m	PROFIBUS DP	
CEW58M-00019	CEW58M*8192/4096 V000 SSI SL3005	5,00 m	SSI	
CEW58M-00022	CEW58M*4096/4096 V000 PROFIBUS *SL3020	20,00 m	PROFIBUS DP	
CEW58M-00029	CEW58M*8192/4096 V000 PROFIBUS *SL3010	10,00 m	PROFIBUS DP	
CEW58M-00065	CEW58M*8192/4096 V000 SSI SL3015	15,00 m	SSI	
CEW58M-00068	CEW58M*4096/4096 V000 SSI SL3030	30,00 m	SSI	
CEW58M-00092	CEW58M*8192/4096 V000 PROFIBUS *SL3025	25,00 m	PROFIBUS DP	
CEW58M-00134	CEW58M*8192/4096 V000 PROFIBUS *SL3005	5,00 m	PROFIBUS DP	
CEW58M-00141	CEW58M*8192/4096 V000 ETHERCAT *SL3010	10,00 m	EtherCAT	
CEW58M-00148	CEW58M*8192/4096 V000 SSI SL3020	20,00 m	SSI	
CEW58M-00156	CEW58M*8192/4096 V000 ETHERCAT *SL3005	5,00 m	EtherCAT	
CEW58M-00229	CEW58M*8192/4096 V000 SSI SL3010	10,00 m	SSI	
CEW58M-00231	CEW58M*8192/4096 V000 SSI SL3025	25,00 m	SSI	
CEW58M-00242	CEW58M*8192/4096 EIP SL3005	5,00 m	Ethernet/IP	
Basic WPS size 88mm				
CMW58M-00048	CMW58M*4096/256 V000 ANALOG*ME5M „KIT“	5,00 m	ANALOG CURRENT	

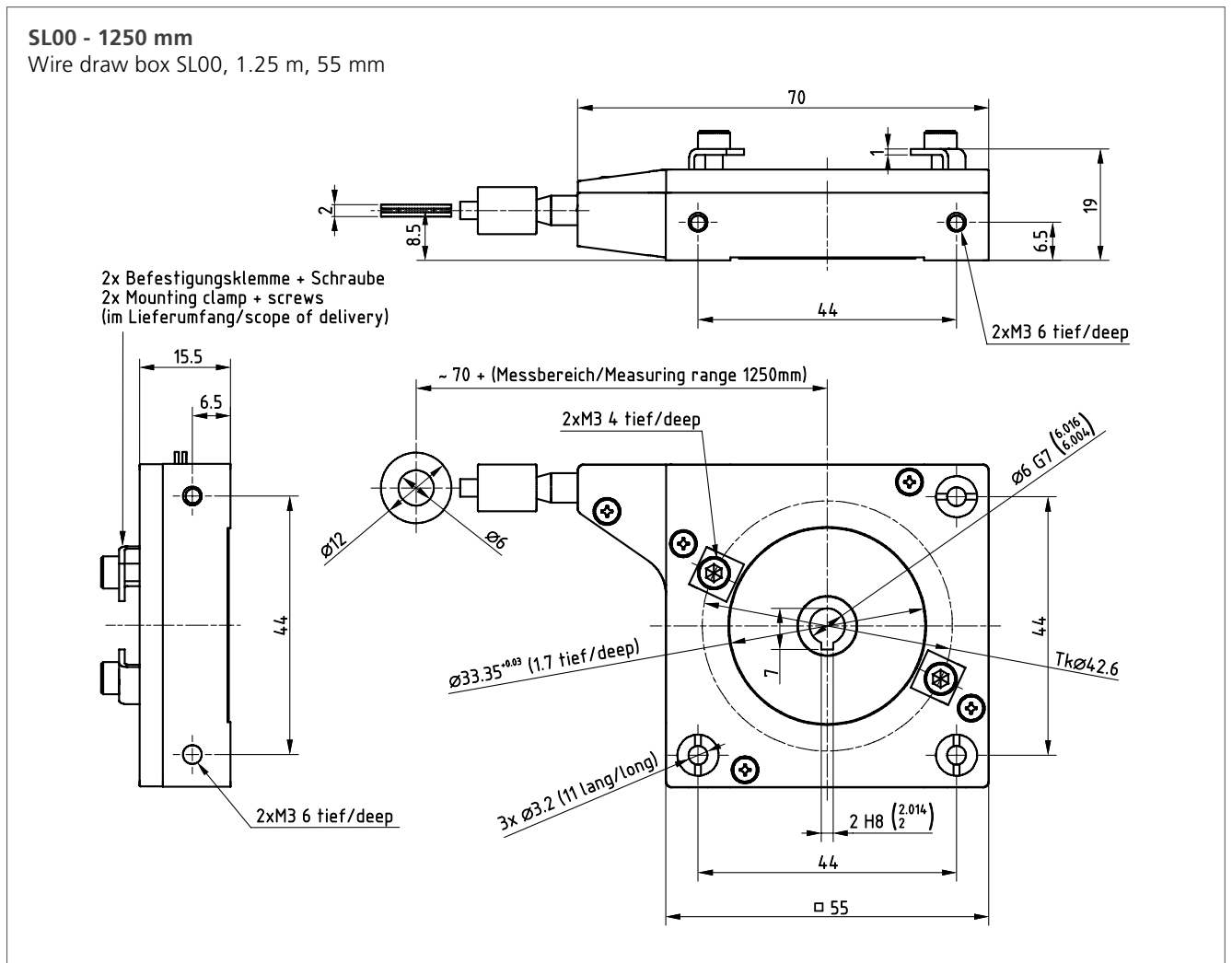
For further product information simply enter the order number in the search field at www.tr-electronic.com.

Dimensional Drawings

WPS - 5000 mm
Wire draw box WPS-5000-mK88, 5.0 m, 88 mm



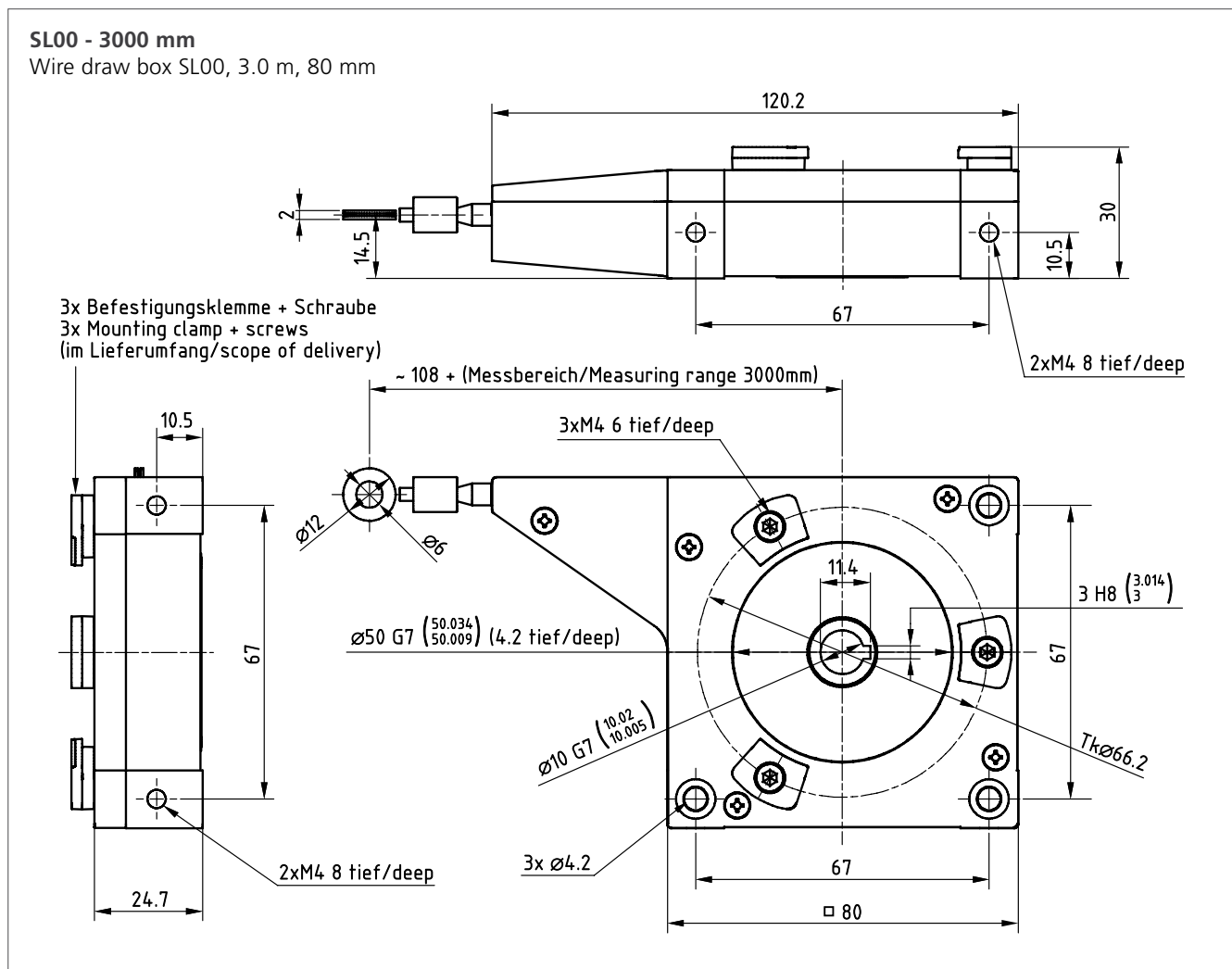
Dimensional Drawings



Shown is only wire draw box without encoder

Illustrations are schematic diagrams. Binding dimension drawings and CAD data for specific order numbers at www.tr-electronic.com or on request.

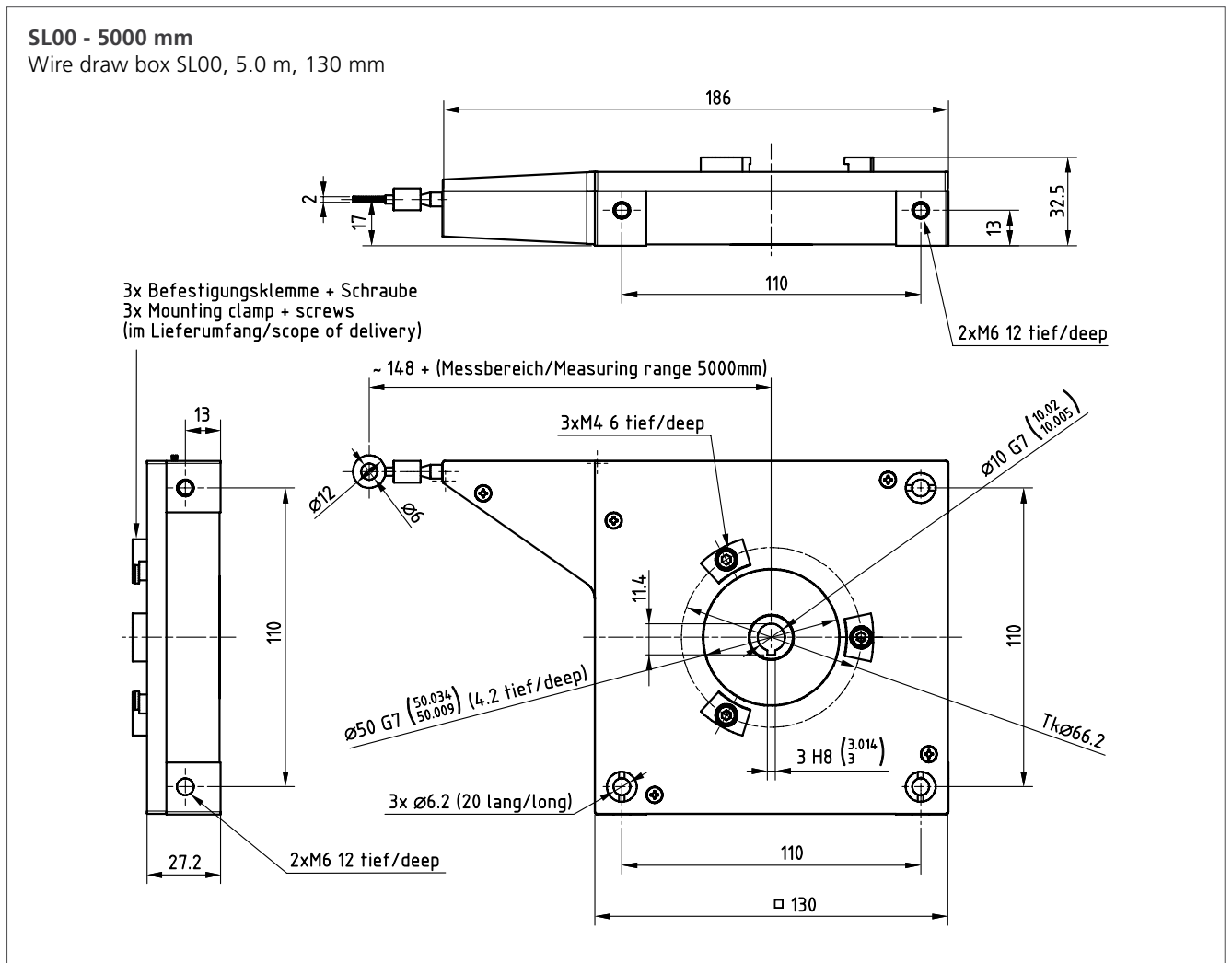
Dimensional Drawings



Shown is only wire draw box without encoder

Illustrations are schematic diagrams. Binding dimension drawings and CAD data for specific order numbers at www.tr-electronic.com or on request.

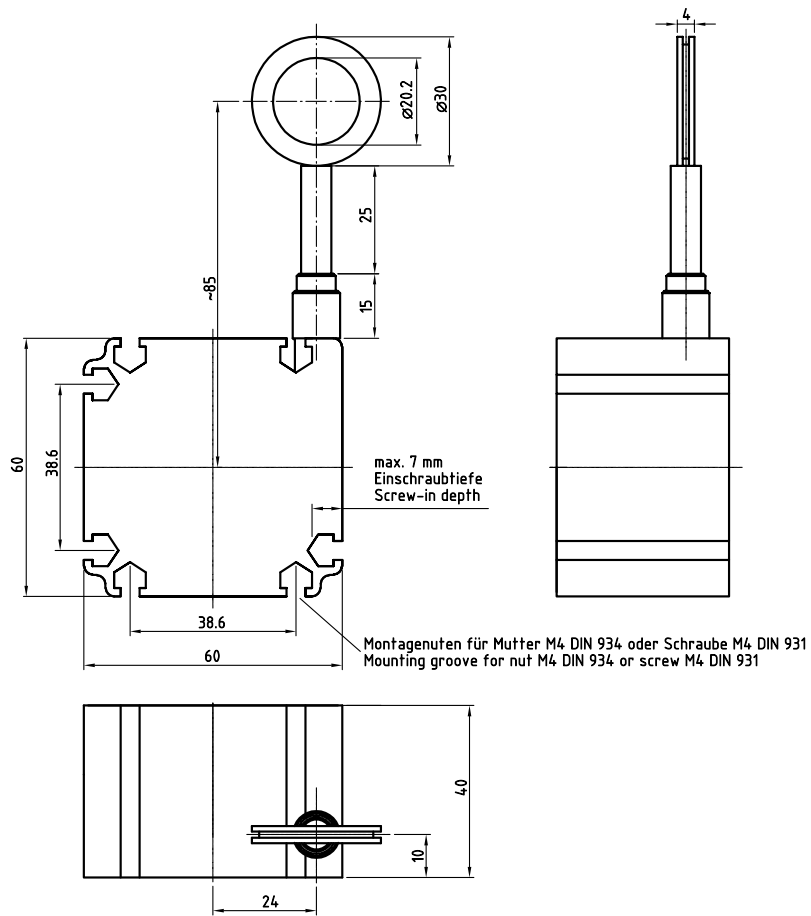
Dimensional Drawings



Dimensional Drawings

WDS - 1600 mm

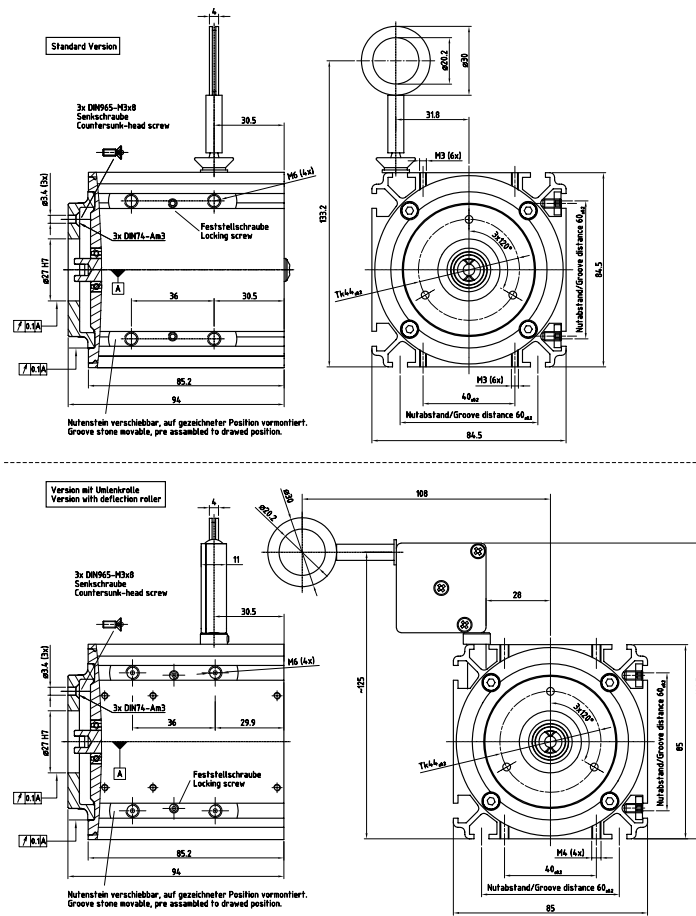
Wire draw box WDS-1600-P60, 1.6 m, 60 mm



Dimensional Drawings

WDS - 2500 mm

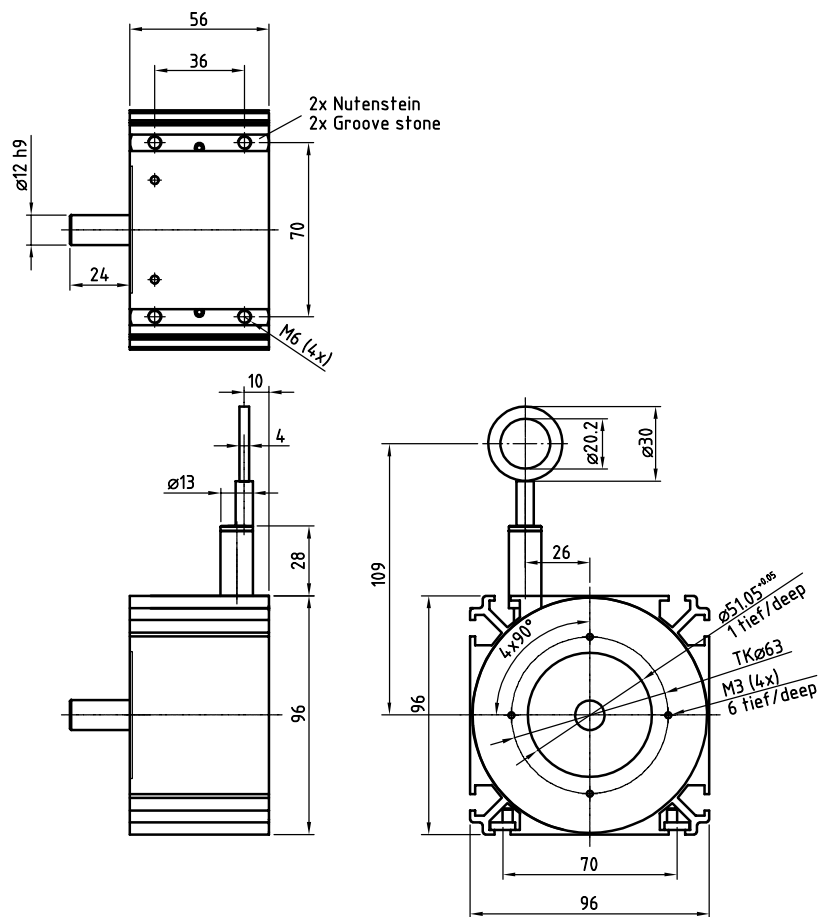
Wire draw box WDS-2500-P85, 2.5 m, 85 mm



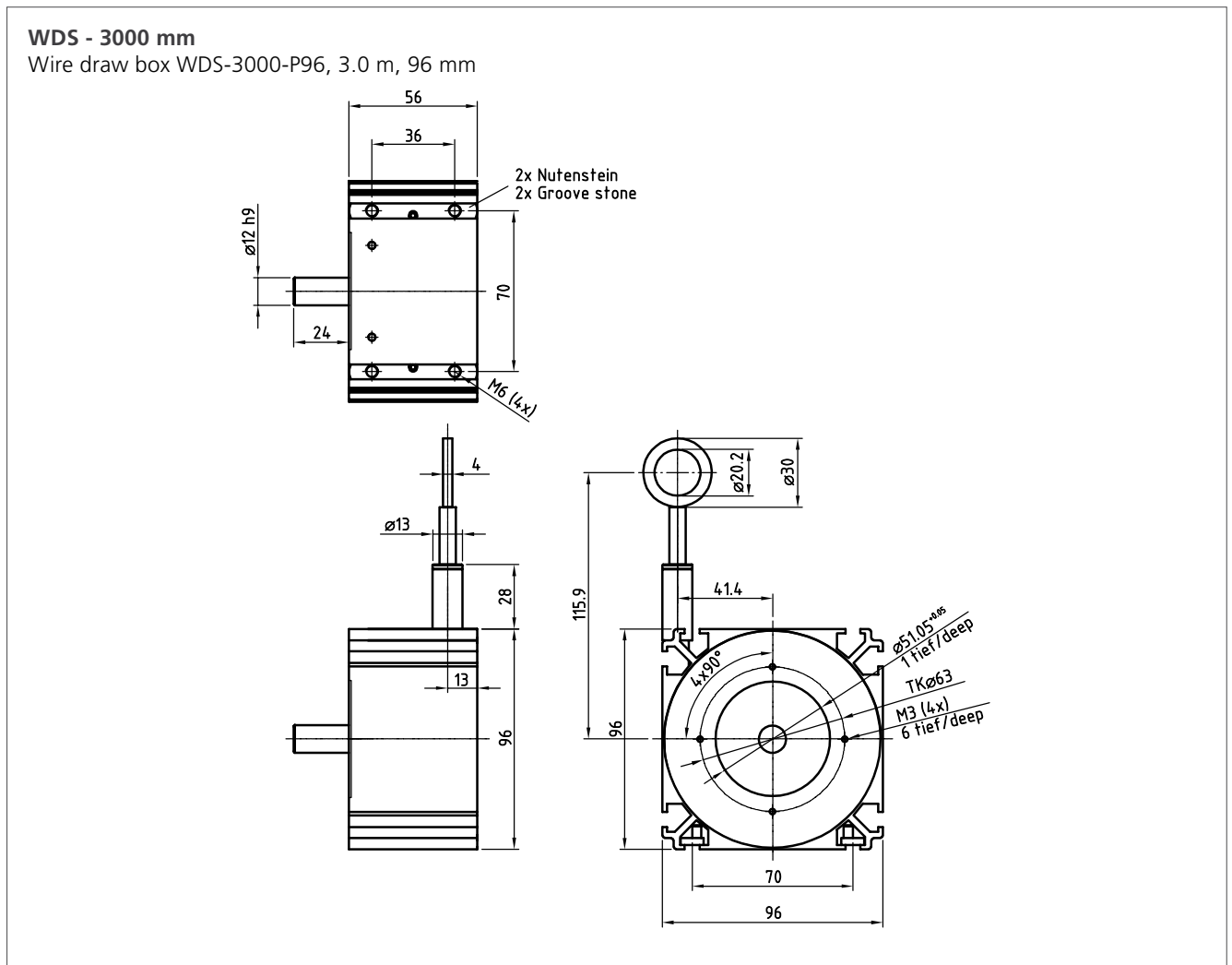
Dimensional Drawings

WDS - 2000 mm

Wire draw box WDS-2000-P96, 2.0 m, 96 mm



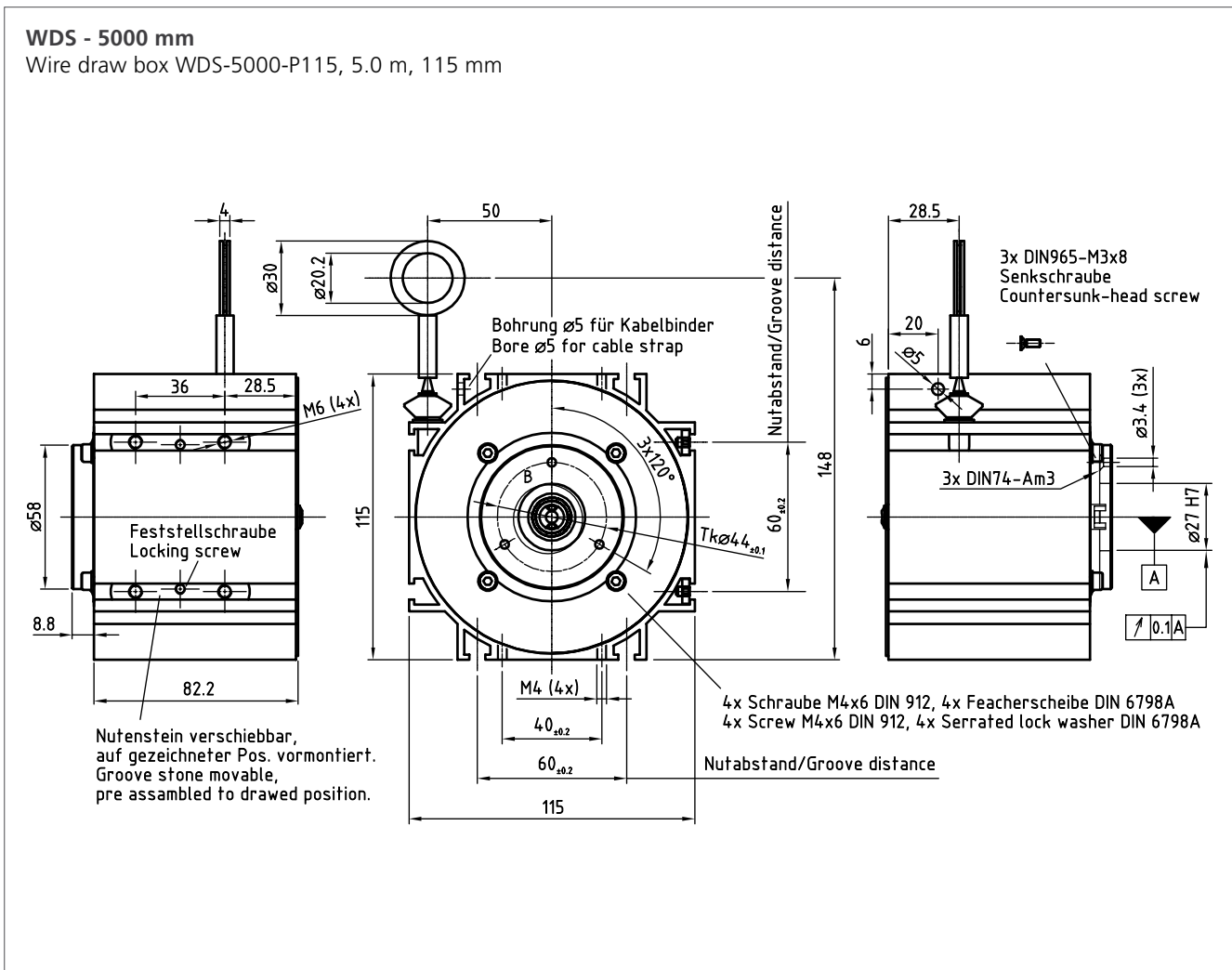
Dimensional Drawings



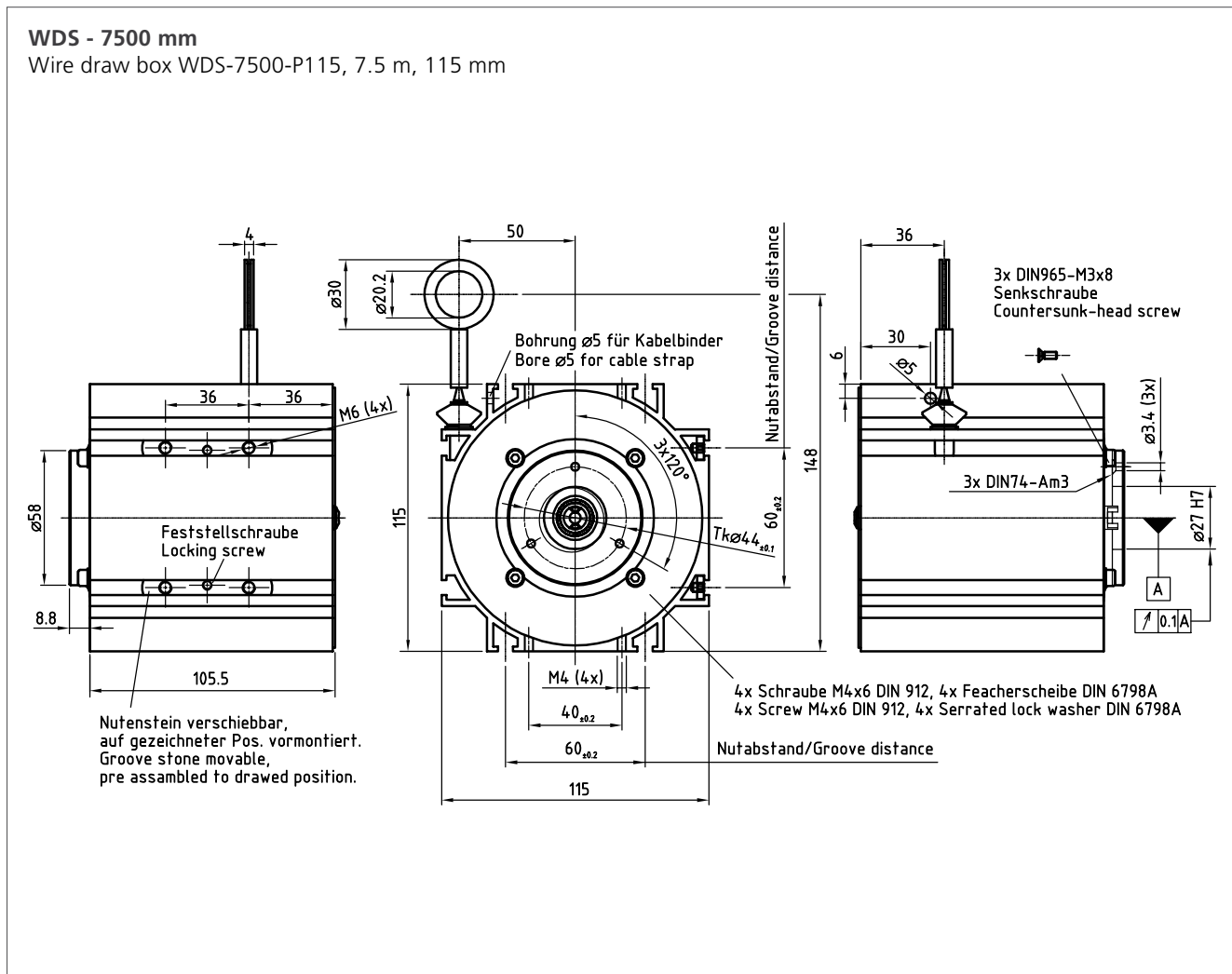
Dimensional Drawings

WDS - 5000 mm

Wire draw box WDS-5000-P115, 5.0 m, 115 mm



Dimensional Drawings



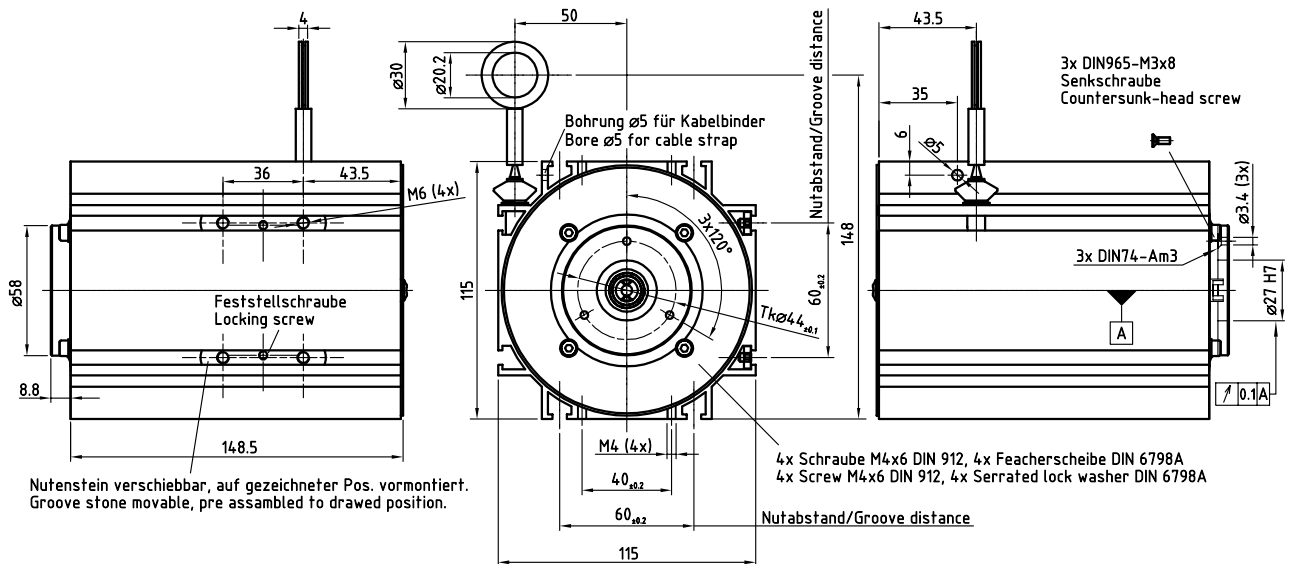
Shown is only wire draw box without encoder

Illustrations are schematic diagrams. Binding dimension drawings and CAD data for specific order numbers at www.tr-electronic.com or on request.

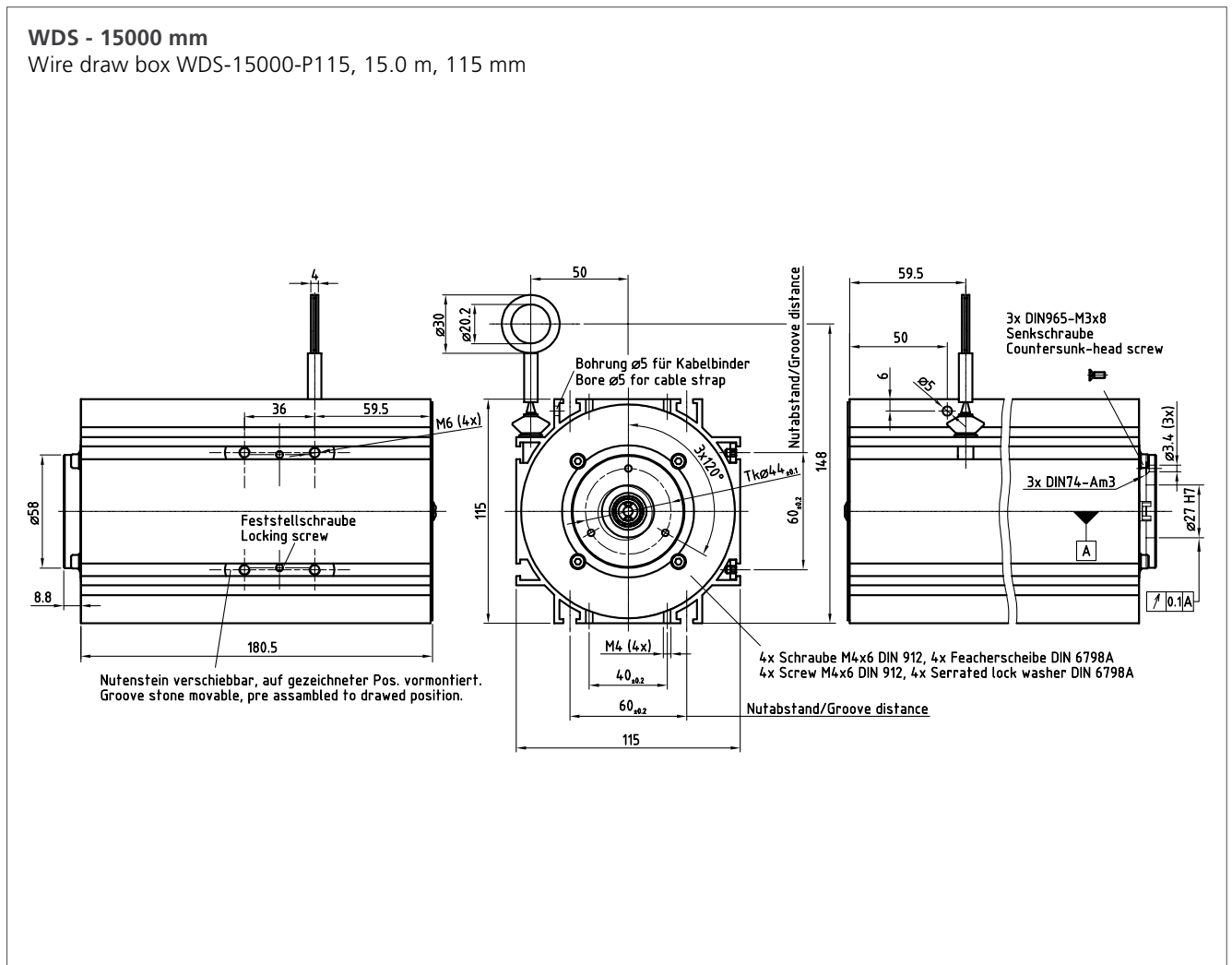
Dimensional Drawings

WDS - 10000 mm

Wire draw box WDS-10000-P115, 10.0 m, 115 mm



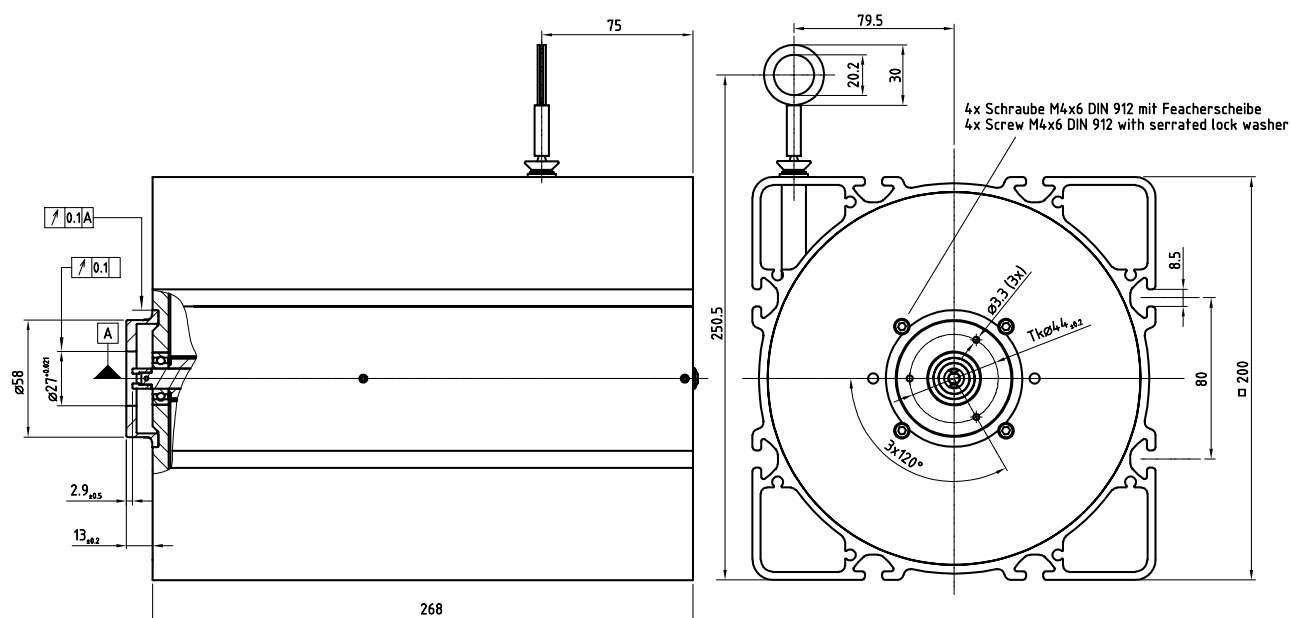
Dimensional Drawings



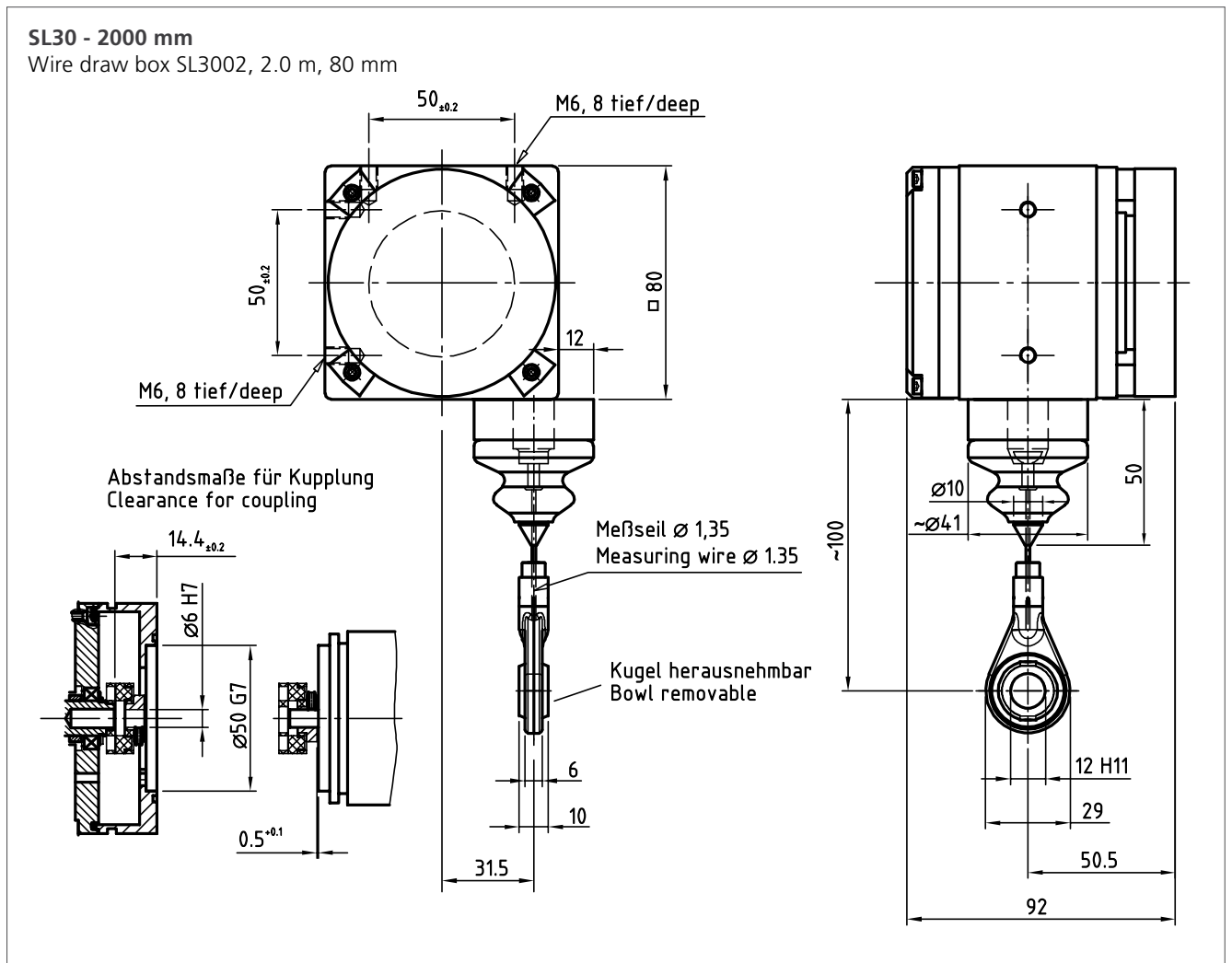
Dimensional Drawings

WDS - 30000 mm

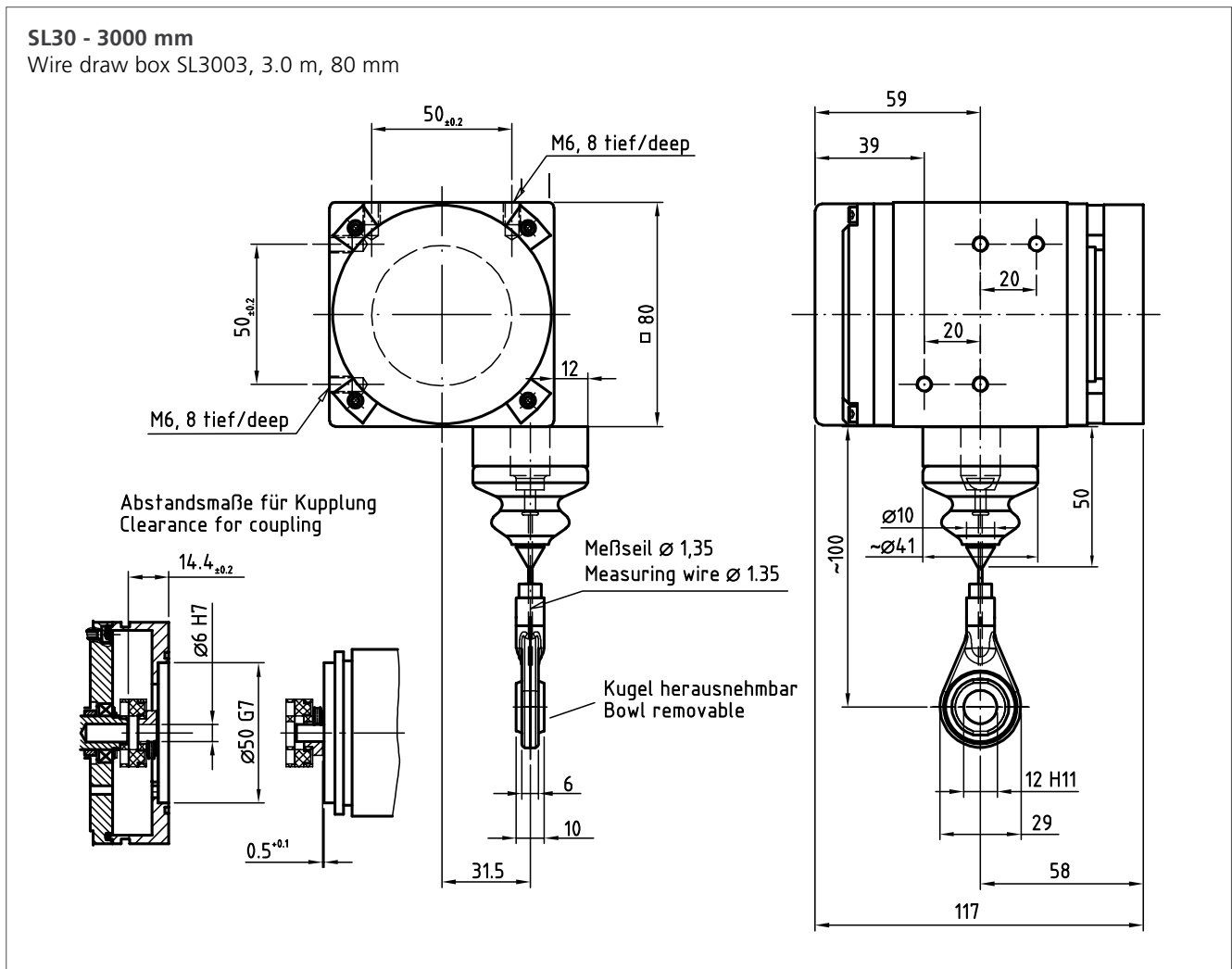
Wire draw box WDS-30000-P200, 30.0 m, 200 mm



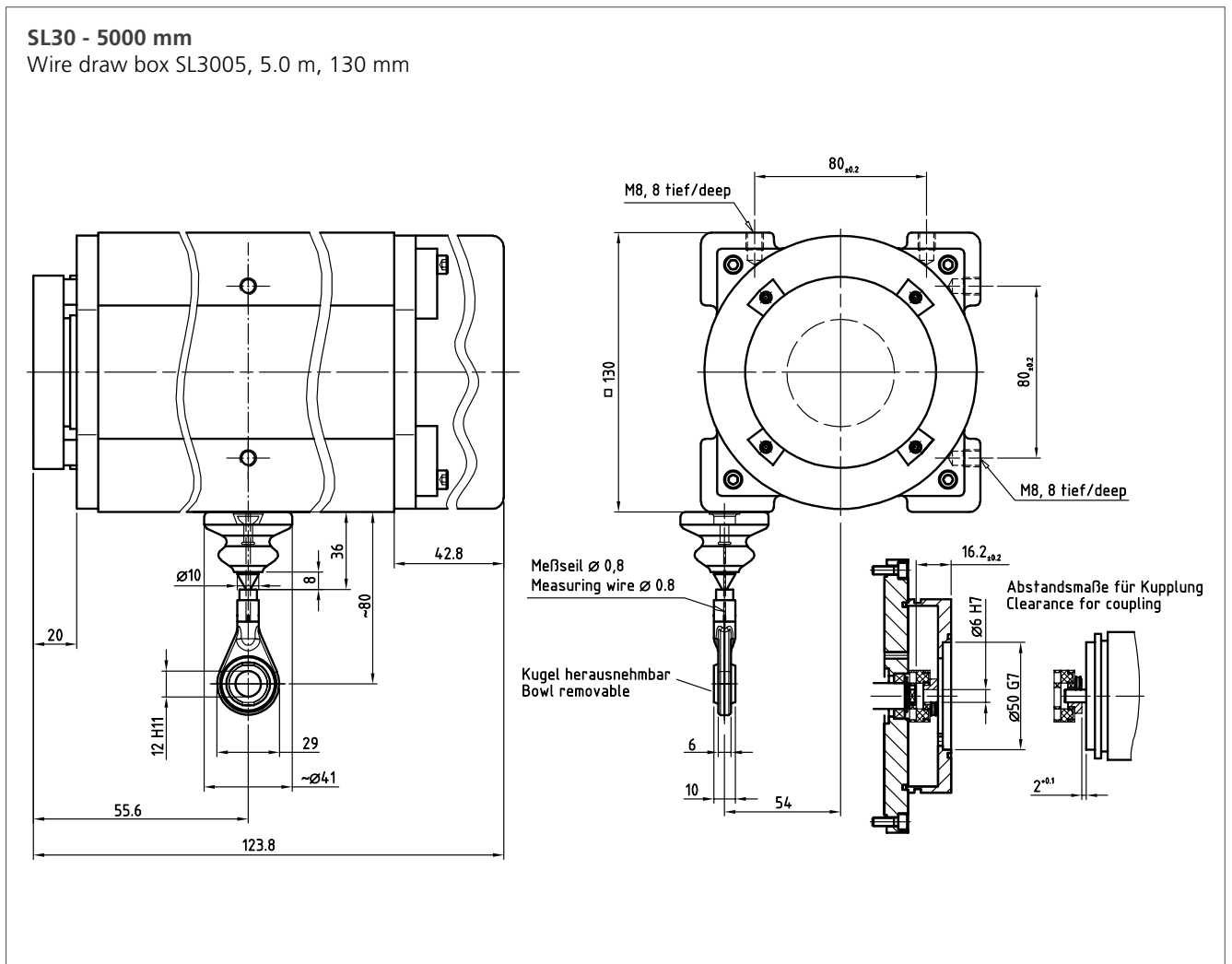
Dimensional Drawings



Dimensional Drawings



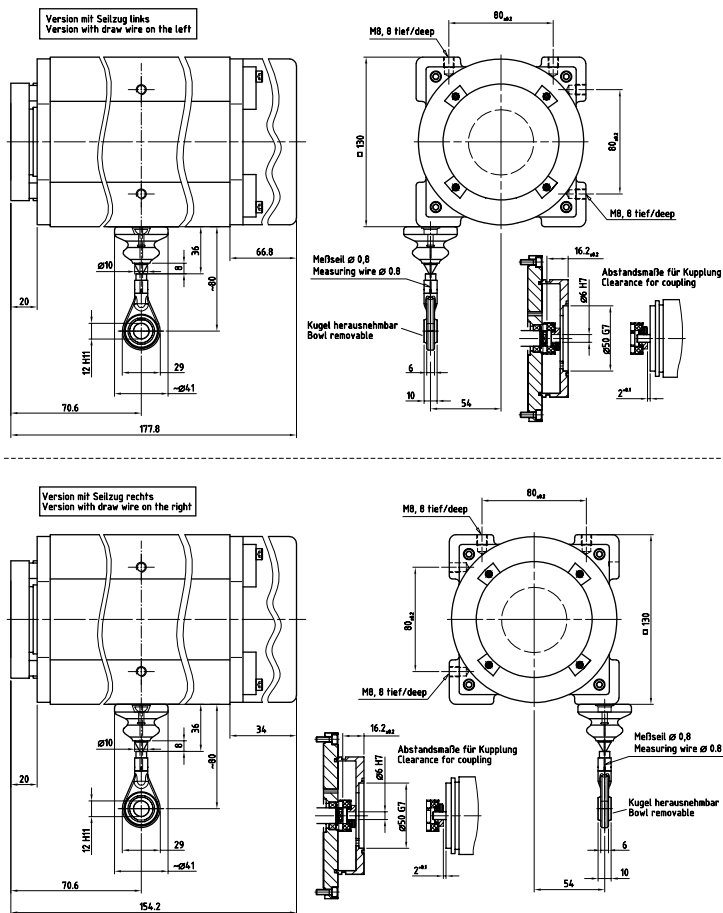
Dimensional Drawings



Dimensional Drawings

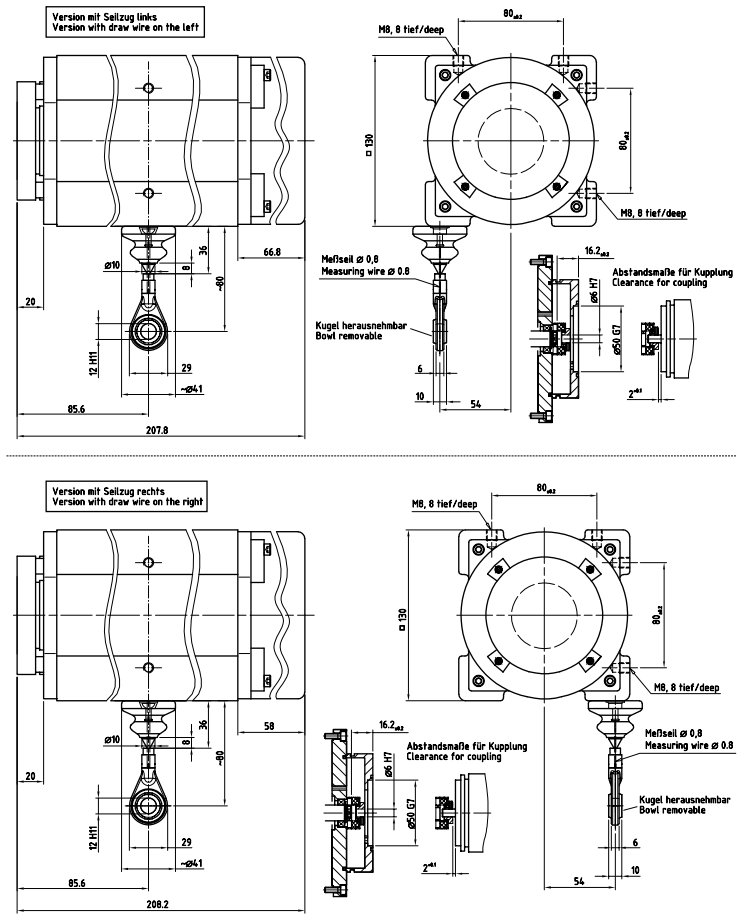
SL30 - 10000 mm

Wire draw box SL3010, 10.0 m, 130 mm



Dimensional Drawings

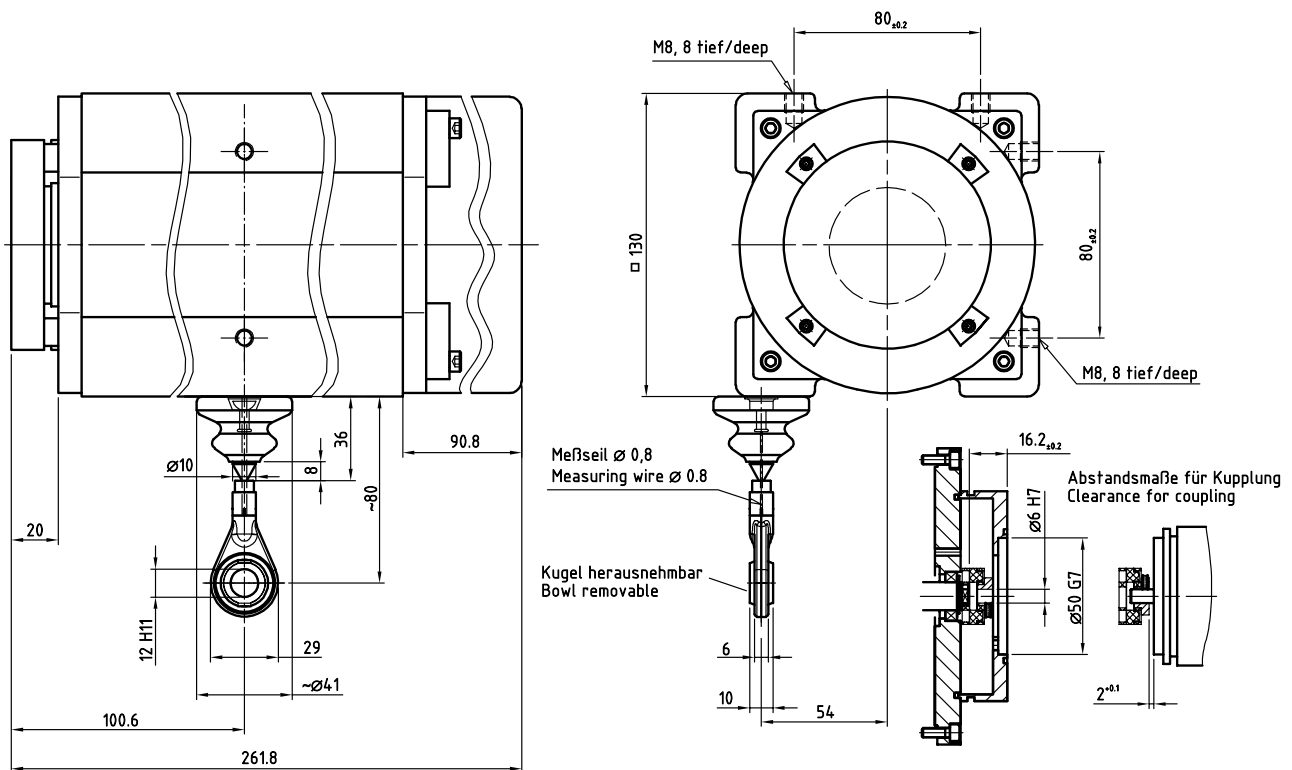
SL30 - 15000 mm
Wire draw box SL3015, 15.0 m, 130 mm



Dimensional Drawings

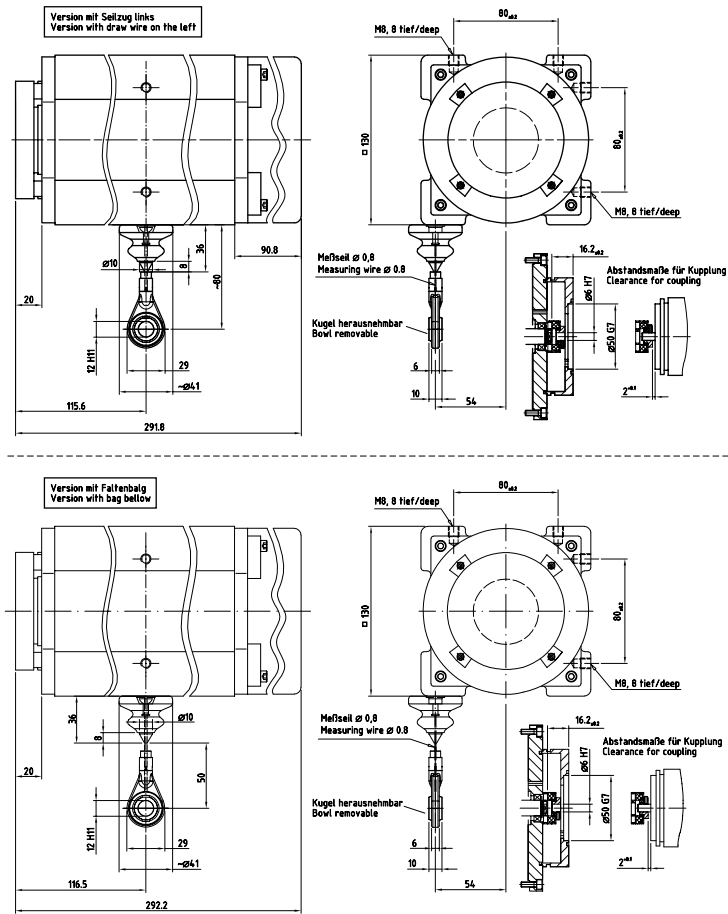
SL30 - 20000 mm

Wire draw box SL3020, 20.0 m, 130 mm



Dimensional Drawings

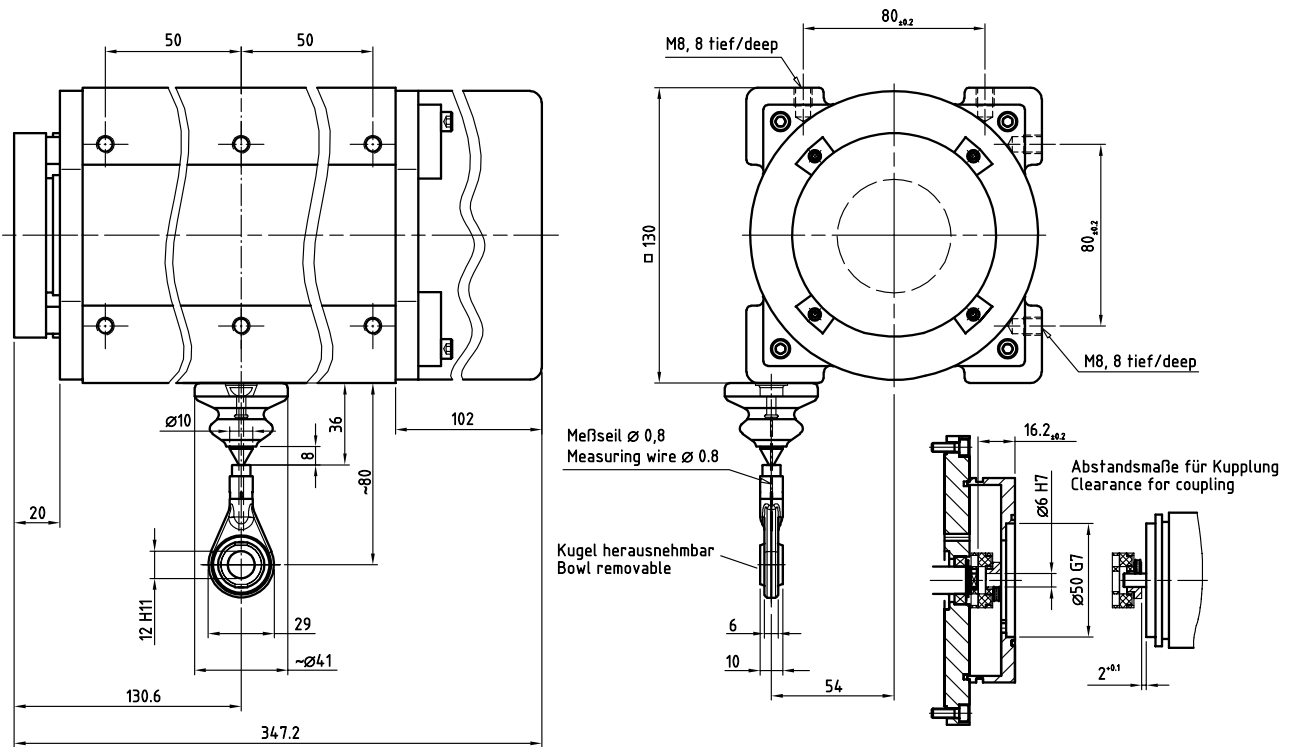
SL30 - 25000 mm
Wire draw box SL3025, 25.0 m, 130 mm



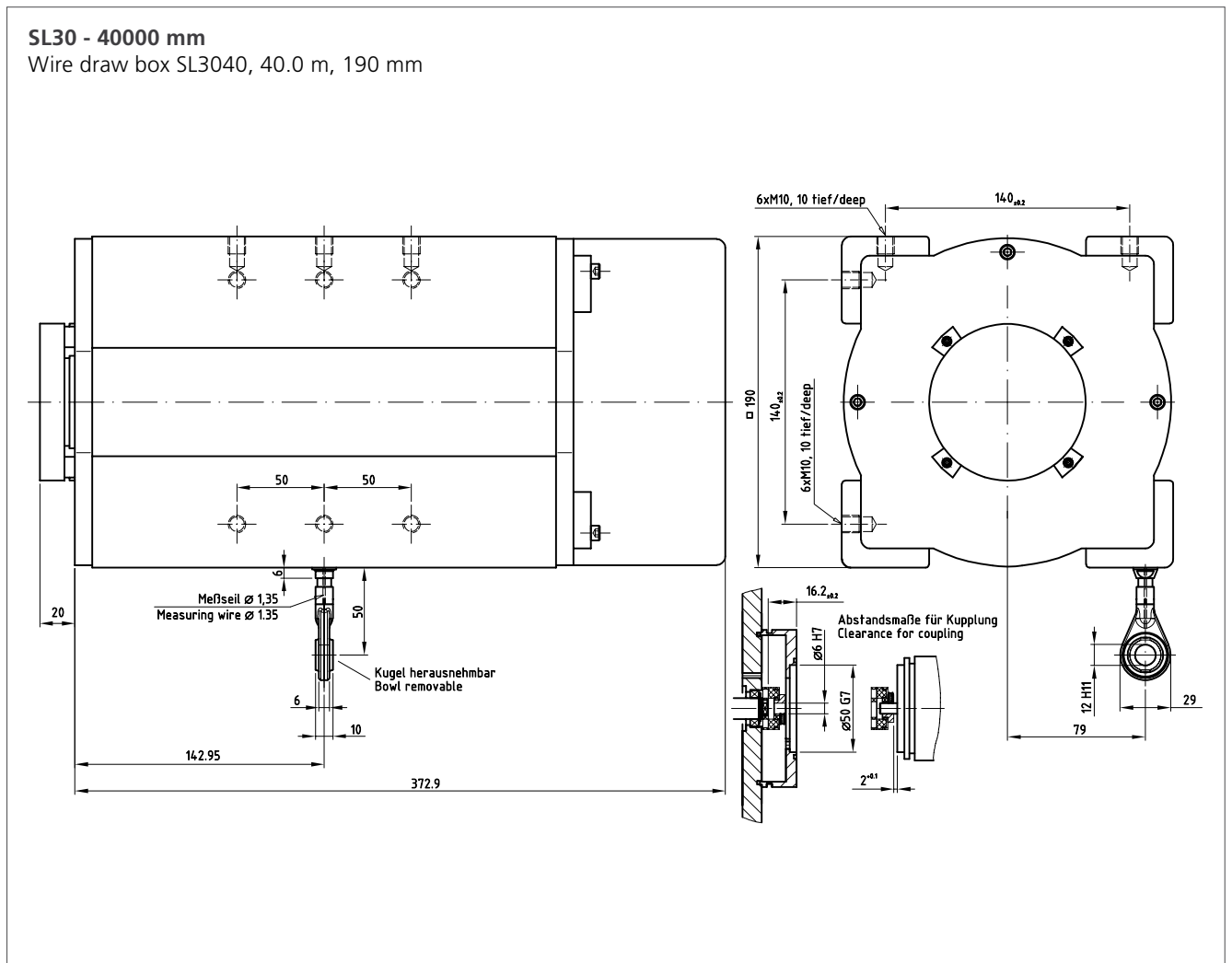
Dimensional Drawings

SL30 - 30000 mm

Wire draw box SL3030, 30.0 m, 130 mm



Dimensional Drawings



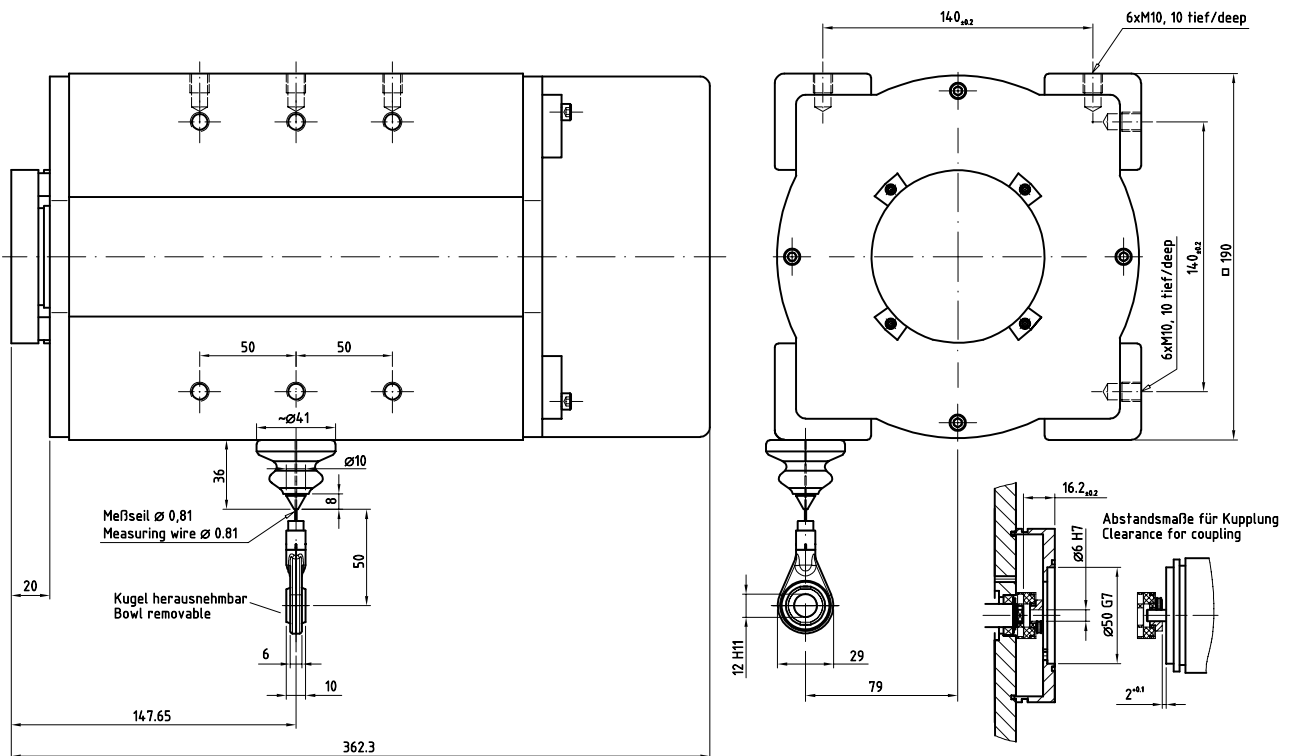
Shown is only wire draw box without encoder

Illustrations are schematic diagrams. Binding dimension drawings and CAD data for specific order numbers at www.tr-electronic.com or on request.

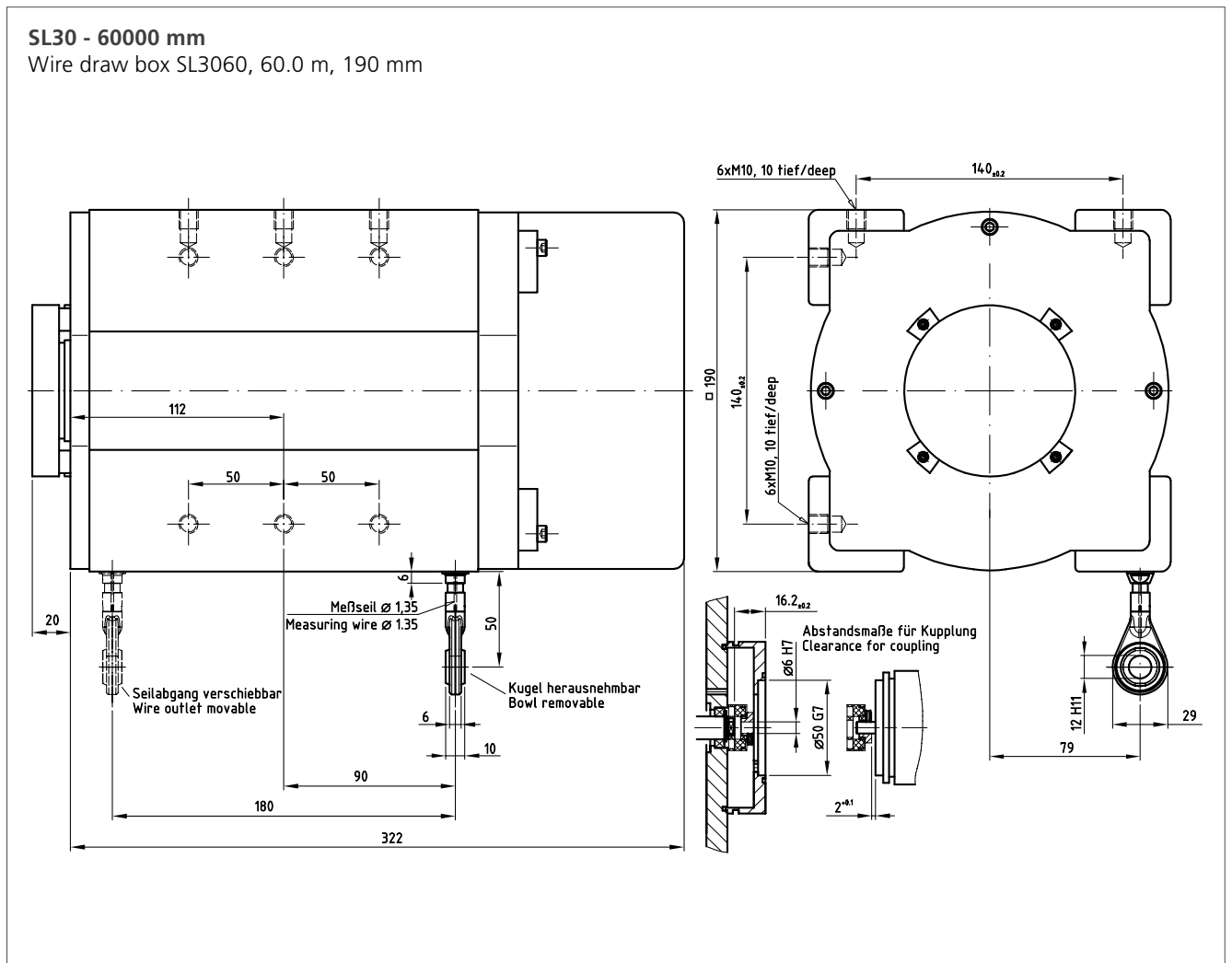
Dimensional Drawings

SL30 - 50000 mm

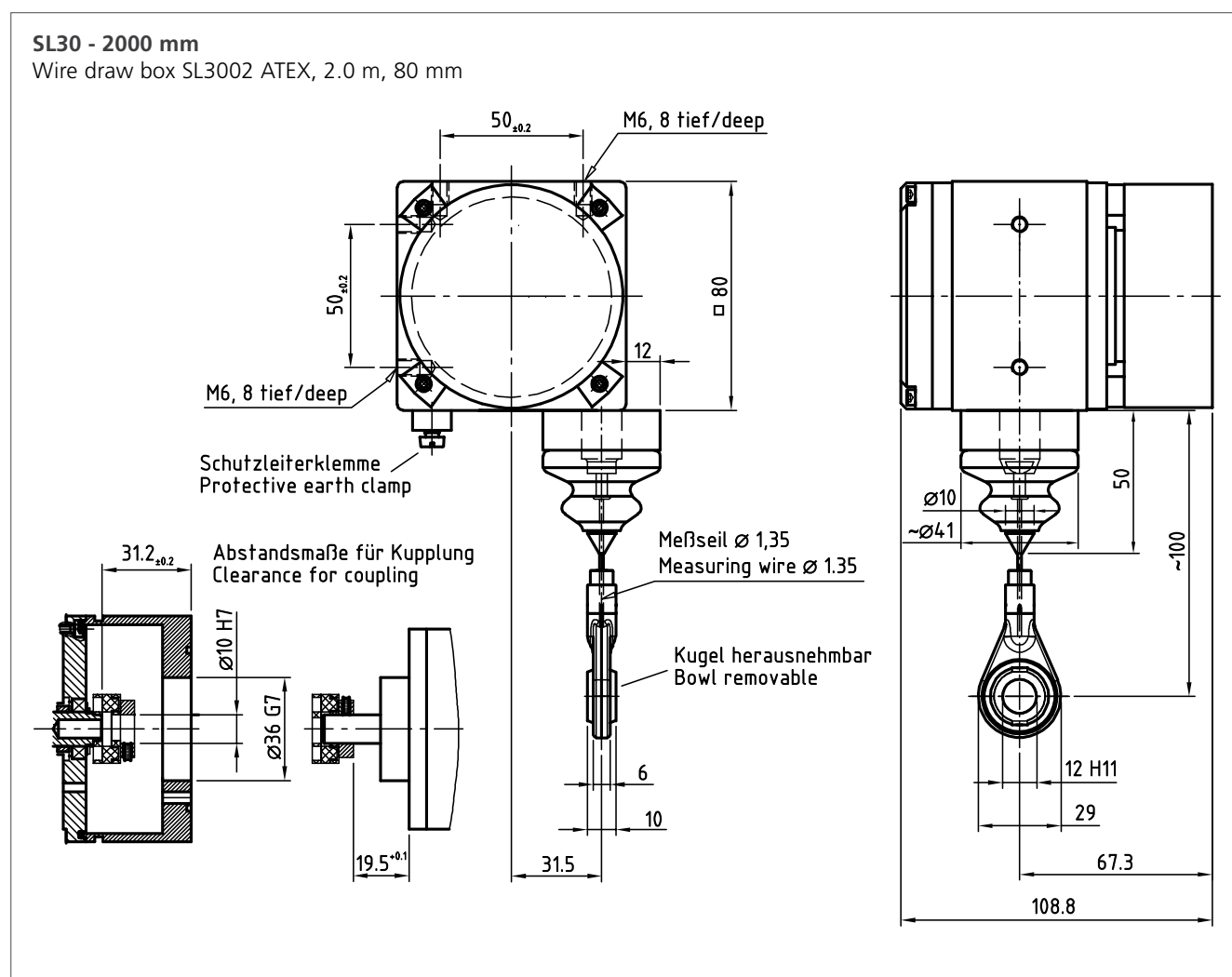
Wire draw box SL3050, 50.0 m, 190 mm



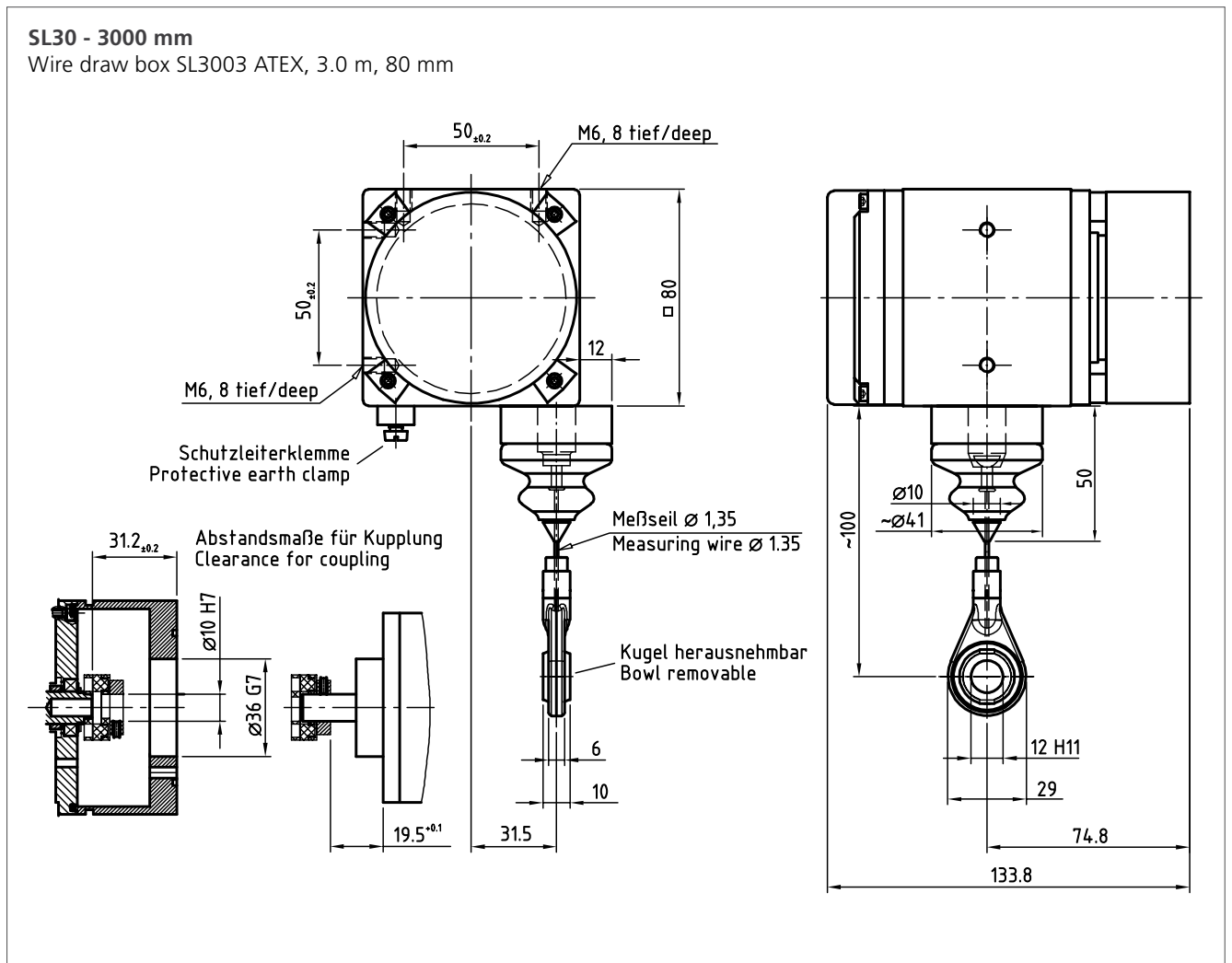
Dimensional Drawings



Dimensional Drawings



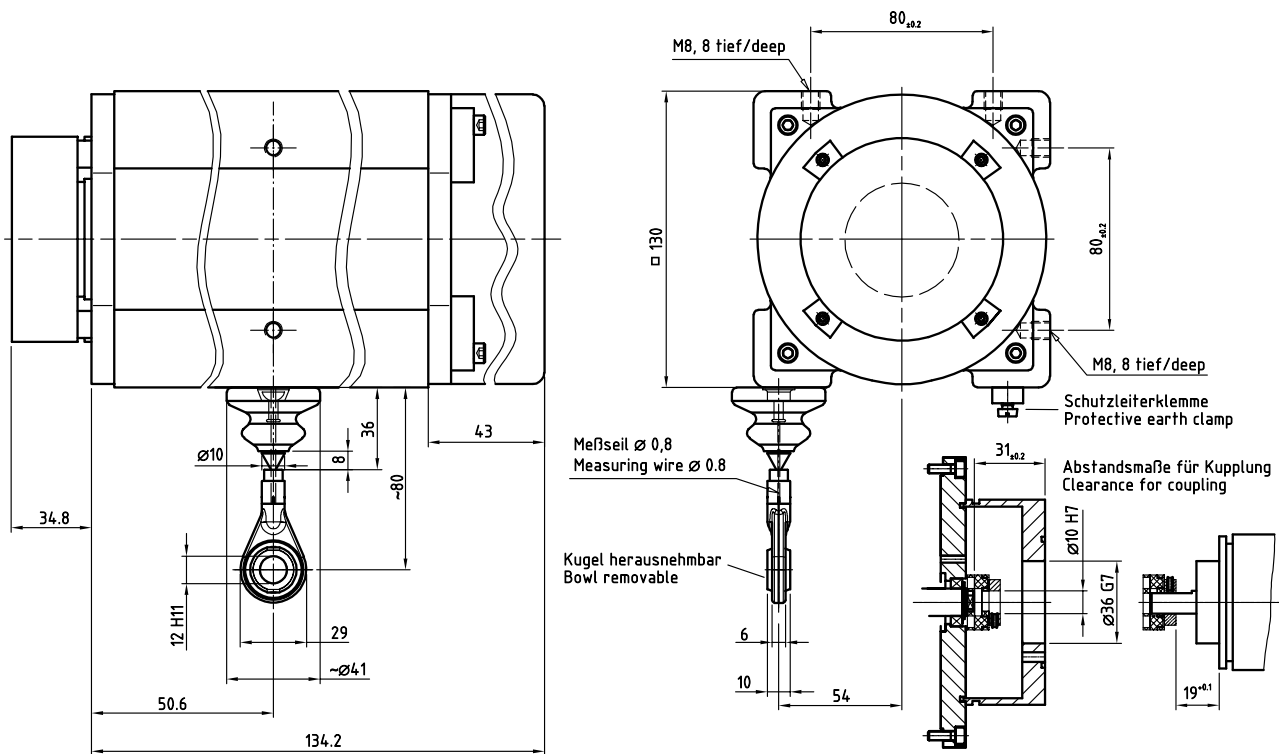
Dimensional Drawings



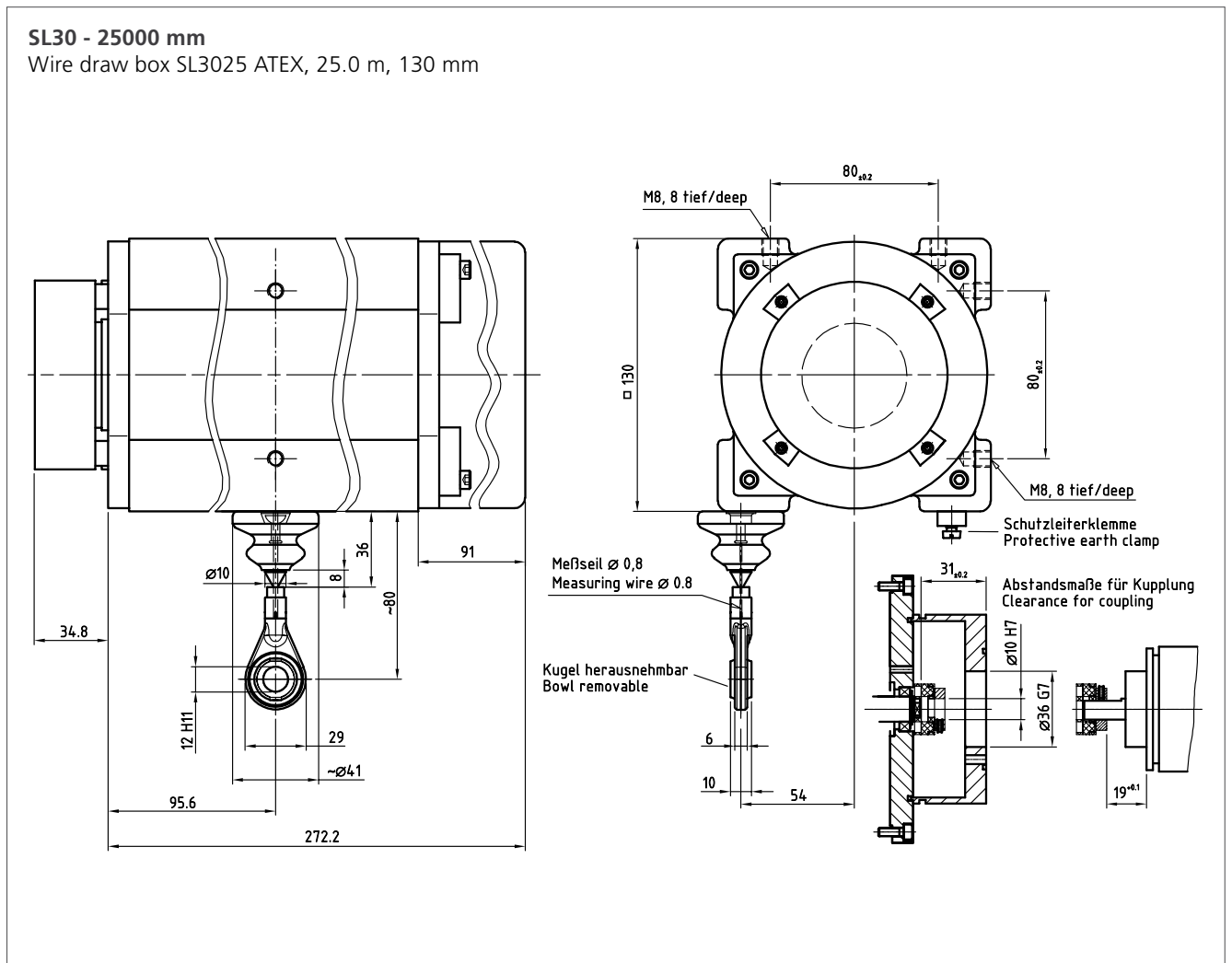
Dimensional Drawings

SL30 - 10000 mm

Wire draw box SL3010 ATEX, 10.0 m, 130 mm



Dimensional Drawings



Dimensional Drawings

Ball joint

Standard for SL30, SL30 ATEX



Alternative rope ends

On request for SL30, SL30ATEX



Wire outlet

With bellow; SL30, SL 30 ATEX



Brush attachment

Option for SL30, SL 30 ATEX



Compressed air attachment

Option for SL30, SL 30 ATEX



Dimensional Drawings

Guide pulley
Option for SL30, SL 30 ATEX

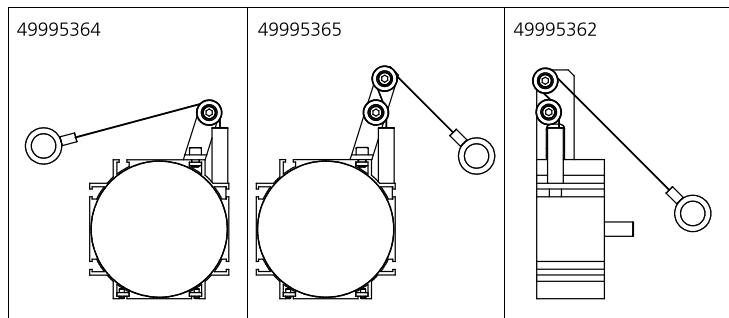


Double guide pulley
Option for SL30, SL 30 ATEX

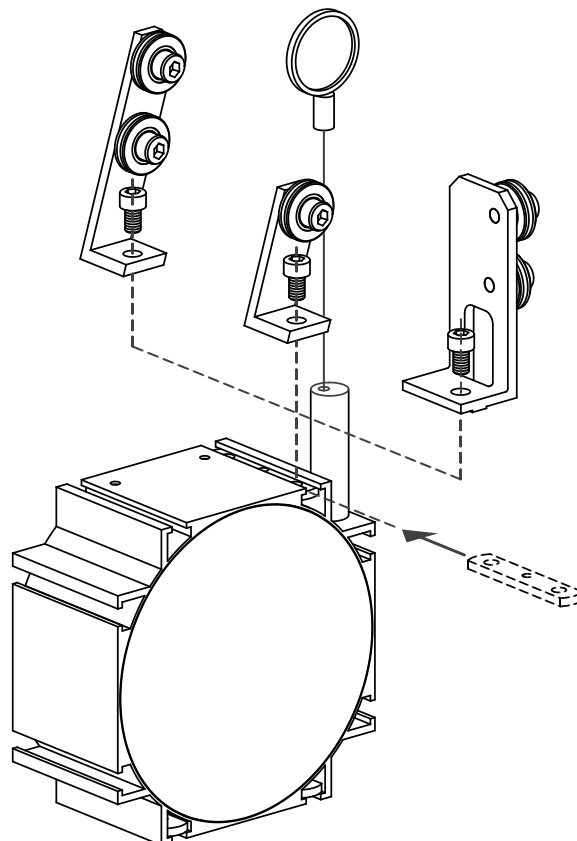


Dimensional Drawings

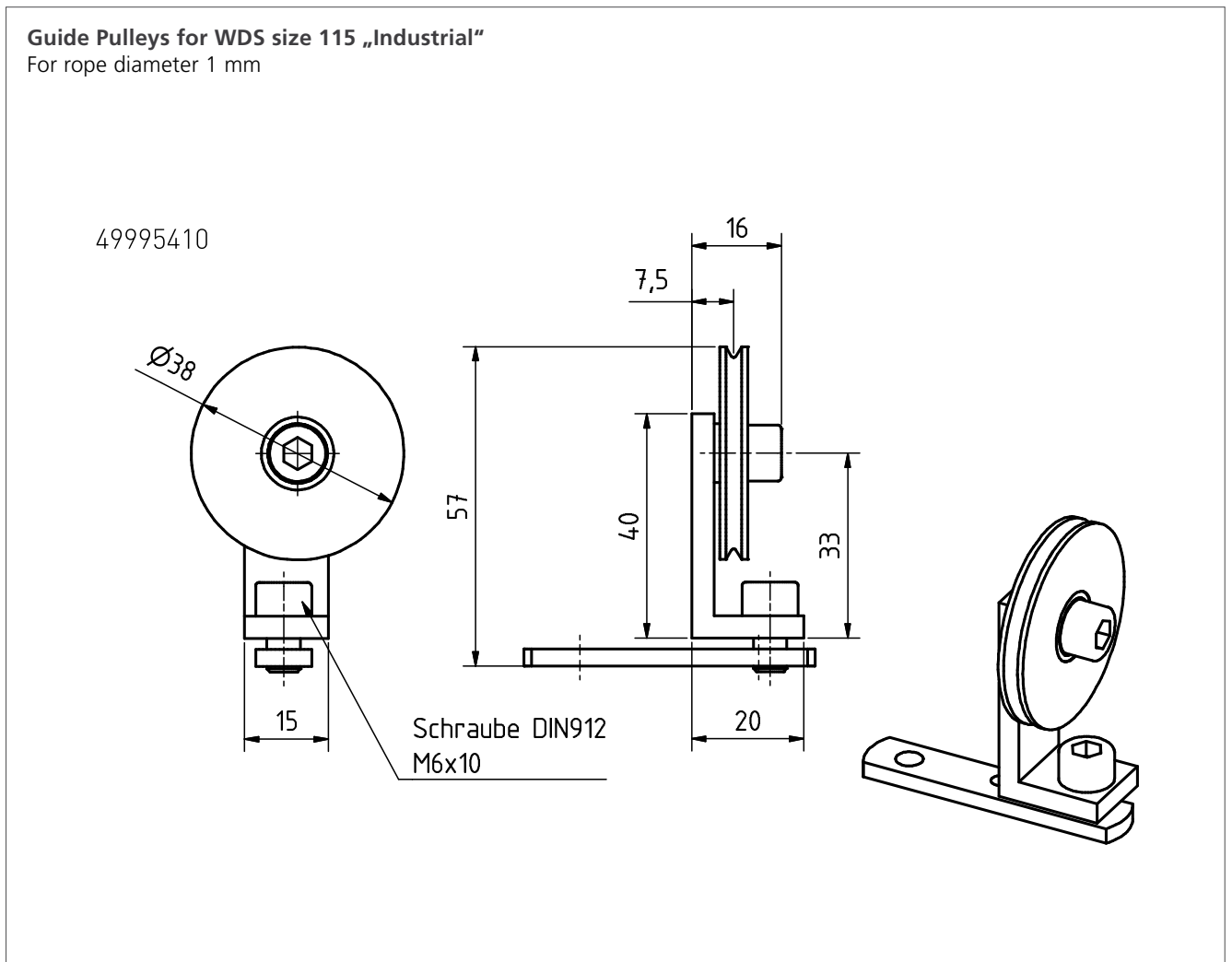
Guide Pulleys for WDS size 115 „Standard” For rope diameter 0,45 mm



Guide Pulleys for WDS Assembly



Dimensional Drawings





Headquarters

TR-Electronic GmbH
Eglishalde 6
D-78647 Trossingen
Germany
Tel.: +49/7425 228-0
Fax: +49/7425 228-33
info@tr-electronic.de
www.tr-electronic.de

International

Argentina

AEA Aparatos Eléctricos Automáticos S.A.C.I.E.
Asunción 2130
AR-1419 Buenos Aires
Tel.: +54/11 - 4574 1155
Fax: +54/11 - 4574 2400
servicioalcliente@aea.com.ar
www.aea.com.ar

Australia (New Zealand)

Sensor Measurement
Unit 8/26 Shields Crescent
P.O. Box 1079
AU-Booragoon
Western Australia 6154
Tel.: +61/8-93 17 25 52
Fax: +61/8-93 17 24 52
sales@sensormeasurement.com.au
www.sensormeasurement.com.au

Australia

Leuze electronic PTY Ltd.
Unit 2/843 Mountain Highway
Bayswater VIC 3153
Tel.: +61/1300 538 933
Fax: +61/3 9738 2677
sales@leuze.com.au
www.leuze.com.au

Austria

TR-Electronic GmbH
Tragösserstraße 117
A-8600 Bruck/Mur
Tel.: +43/3862-55006 0
Fax: +43/3862-55006 33
info@tr-electronic.at
www.tr-electronic.at

Belgium

TR-Electronic Benelux
Dorpstraat 18F
NL-5386AM Geffen
Tel.: +31/73 844 9600
Mobil: +31/6383 28 303
rene.verbruggen@tr-electronic.nl
www.tr-electronic.nl

Brazil

Grupo C+Tecnologia
Rua dos Caetés 601
CEP - 05419-000
BR-Perdizes - São Paulo - SP
Tel.: +55/11-2168 655-4
Fax: +55/11-2168 655-5
info@ctecnologia.com.br
www.ctecnologia.com.br

Canada

TR Electronic
P.O. Box 2543, Station B
CA-London
Ontario Canada N6A 4G9
Tel.: +1/519-452 1999
Fax: +1/519-452 1177
customercare@trelectronic.com
www.trelectronic.com

Chile

Allware
Casa Haverbeck
General Lagos 2060 2º Piso
Region de Los Rios Valdivia
CHL-Santiago Chile
Tel.: +56 63/239298
Sales@allware.cl
www.allware.cl

China

TR-Electronic (Beijing) CO., Ltd.
Room 717 / 718, Building A2
Electronic City Science Park
Jiu Xian Qiao Dong Road No. 9
Chaoyang District
CN-100027 Beijing, P.R. China
Tel.: +86/10 - 582 386 55
Fax: +86/10 - 582 372 10
lu.yu@tr-electronic.de
www.tr-electronic.com.cn

Czech Republic, Slovakia

DEL a.s.
Biskupský dvůr 1146/7
Nové Město
CZ-110 00 Praha 1
Tel.: +420/566 657 100
Fax: +420/566 621 657
tr-electronic@del.cz
www.del.cz

Denmark

TR-Electronic Danmark ApS
Hustedgårdvej 22
DK-8722 Hedensted
Tel.: +45/75 89 06 03
cbj@tr-electronic.dk
www.tr-electronic.dk

Finland

Sarlin Oy Ab
P.O. Box 750
FI-00101 Helsinki
Tel.: +358/10 - 550 4000
Fax: +358/10 - 550 4201
info@sarlin.com
www.sarlin.com

France

TR-Electronic France SARL
1 Avenue
Christian Doppler - Bat 2
FR-77700 Serris
Tel.: +33/1-64 63 68 68
Fax: +33/1-61 10 17 66
info@tr-electronic.fr
www.tr-electronic.fr

Great Britain

TR-Electronic Ltd.
4 William House, Old St.
Michaels Drive
GB-Braintree Essex CM7 2AA
Tel.: +44/1 371-876 187
Fax: +44/1 371-876 287
info@tr-electronic.co.uk
www.tr-electronic.co.uk

India

Spohn Burkhardt India
9th Main Road, 500,
33rd A Cross Road
7th Cross, 4th Block Jayanagar
IN-Bangaluru - 560 011, India
Mobile: +91/98451 46948
info@spobu-india.in
www.spobu-india.in

India

Global-Tech (India) Pvt Ltd.
"INFINITY House", Survey No-
85, A-1/4, Lalit Estate, Plot No-7,
Next to Eminent Building, Near
Ganaraj Chowk, Baner Road,
IN-Pune - 411045, Maharashtra
Tel.: +91/20 6744 0033
Fax: +91/20-2447 00 86
info@globaltechindia.com
www.globaltechindia.com

Israel

Dor Engineering
P.O.Box 6
IL-48805 Kibutz Einat
Tel.: +972/3 900 75 95
Fax: +972/3 900 75 99
info@doreng.co.il
www.doreng.co.il

Italy

Telestar S.r.l.
Via Novara, 35
IT-28010 Vaprio D'Agogna (NO)
Tel.: +39/03-21 966-768
Fax: +39/03-21 966-281
telestar@telestar-automation.it
www.telestar-automation.it

Japan

SANTEST CO. Ltd.
1-60 Tsuneyoshi, 1-Chome
Konohanaku
J-Osaka 554-8691
Tel.: +81/6-6465 5561
Fax: +81/6-6465 5921
info@santest.co.jp
www.santest.co.jp

Mexico

TR Electronic
P.O. Box 2543, Station B
CA-London, Ontario Canada
N6A 4G9
Tel.: +1/519-452 1999
Fax: +1/519-452 1177
customercare@trelectronic.com
www.trelectronic.com

Republic of Korea

MS Intech Co., Ltd.
B-306 SK Twintech Tower
345-9 Gasan-dong/
Geumcheon-gu
KR-08589 Seoul
Tel.: +82/2-334 0577
Fax: +82/2-862 1591
sales@msintech.com
www.msintech.com

South Africa

Angstrom Engineering (Pty) Ltd.
Sybrand van Niekerk
Business Park Meyerton
19 Tom Muller Road
ZA-1960 Meyerton
Tel.: +27/362 0300
info@angstromeng.co.za
www.angstromeng.co.za

Thailand

T+R Electronic (Thailand) Co., Ltd.
120/62 Moo 8 Bang Sare
TH-Sattahip, Chonburi 20250
Tel.: +66/38 737 487
Fax: +66/38 737 171
trthailand@trelectronic.co.th
www.trelectronic.co.th

Netherlands

TR-Electronic Benelux
Dorpstraat 18F
NL-5386AM Geffen
Tel.: +31/73 844 9600
Mobil: +31/6383 28 303
rene.verbruggen@tr-electronic.nl
www.tr-electronic.nl

Russia

Sensotek LLC
Kievskoye highway 22 km
(Moskovskiy settlement)
housing estate 4, building 5,
office 505E
RU-108811 Moscow
Tel.: +7/495 181-56-67
Fax: +7/495 181-56-67
info@sensotek.ru
www.sensotek.ru

Spain, Portugal

Intertronic Internacional, SL
C/Johannes Gutenberg, 4 y 6
Parque Tecnológico Paterna
ES-46980 Valencia
Tel.: +34/963 758 050
Fax: +34/963 751 022
info@intertronic.es
www.intertronic.es

Turkey

ÜNİVERSA İÇ ve DIŞ TİC. MAK.
SAN. LTD. ŞTİ.
Cemal Gürsel Caddesi No: 11/7
TR-35600 Karşıyaka-İZMİR
Tel.: +90/232 382 23 14
Fax: +90/232 382 23 24
info@universa.com.tr
www.universa.com.tr

Norway

TR Electronic Norway AS
Fusdal Terrasse 3
N-1387 Asker
Tel.: +46 708 696 533
Fax: +46 875 676 80
info@trelectronic.se
www.trelectronic.se

Saudi-Arabia

Business Tribune Company Ltd.
4237 Ad Danah
King Abdulaziz Road
SA-32437-6887 Ad Dammam
Tel.: +966/3-832 72-17
Fax: +966/3-832 72-41
waleed@bustribune.com.sa
www.bustribune.com

Sweden

TR Electronic Sweden AB
Djupdalsvägen 10
SE-192 51 Sollentuna
Tel.: +46/8-756 72 20
Fax: +46/8-756 76-80
mailbox@trelectronic.se
www.trelectronic.se

USA (TR-Electronic)

TR Electronic
200 East Big Beaver Road
Suite 164
US-Troy, MI 48083
Tel.: +1/248-244-2280
Fax: +1/248-244-2283
customercare@trelectronic.com
www.trelectronic.com

Peru

Grupo C+Tecnologia
Rua dos Caetés 601
CEP-05419-000
BR-Perdizes - São Paulo - SP
Tel.: +55/11-2168 6554
Fax: +55/11-2168 6555
info@ctecnologia.com.br
www.ctecnologia.com.br

Singapore

Globaltec Electronics
(Far East) Pte. Ltd.
50 Bukit Batok Street 23
#06-27 Midview Building
SG-659578 Singapore
Tel.: +65/6267 9188
Fax: +65/6267 8011
janice@globaltec.com.sg
www.globaltec.com.sg

Switzerland

TR-Electronic SA
14, Ch. Pré-Fleuri
CH-1228 Plan-les-Ouates/Genève
Tel.: +41/22-7 94 21 50
Fax: +41/22-7 94 21 71
info@tr-electronic.ch
www.tr-electronic.ch

USA (TRsystems)

TRS Fieldbus Systems, Inc.
666 Baldwin Court
US-Birmingham, MI 48009
Tel.: +1/586 826-9696
Fax: +1/586 826-9697
support@trs-fieldbus.com
www.trs-fieldbus.com

Poland

Stoltronic-Polska Sp.z o.o. Sp.k.
ul. Dąbrowskiego 238
P-93-231 Łódź
Tel.: +48/42 649 12 15
Fax: +48/42 649 11 08
stoltronic@stoltronic.pl
www.stoltronic.pl

Slovenia

S.M.M. d.o.o.
Jaskova 18
SI-2001 Maribor
Tel.: +386/2450 2300
Fax: +386/2450 2302
info@smm.si
www.smm.si

Taiwan

TR-Electronic (Beijing) CO., LTD.
Room 717 / 718, Building A2
Electronic City Science Park
Jiu Xian Qiao Dong Road No. 9
Chaoyang District
CN-100027 Beijing, P.R. China
Tel.: +86/10 - 582 386 55
Fax: +86/10 - 582 372 10
lu.yu@tr-electronic.de
www.tr-electronic.com.cn

TR-Electronic GmbH

Eglishalde 6

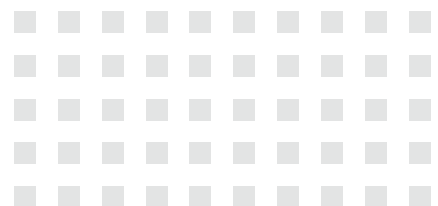
D - 78647 Trossingen

Tel. +49 7425 228-0

Fax +49 7425 228-33

info@tr-electronic.de

www.tr-electronic.de



Last update: 03/2019

68-105-115 - TR-V-PR-GB-0020-03

Subject to technology and design modifications.

Cover photo background: ©kras99-fotolia.com